

IGA + Liquor

219 High St, Ashburton, VIC 3147.

Full Documentation Sets

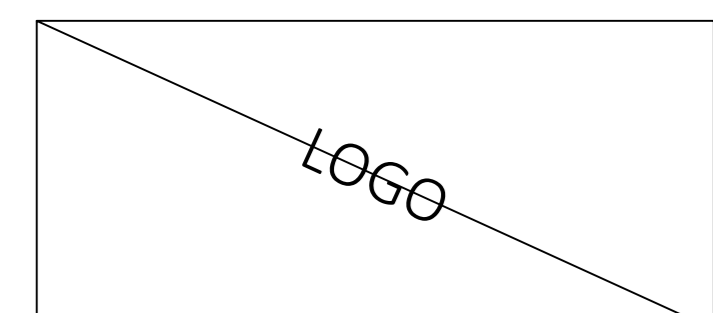
LEGEND

NOTES

Door #1 - Cupboard Door

DESIGNER DETAILS

NAME:
T: +614 0000 0000
E: email@address.com



NOTE

DO NOT SCALE THIS DRAWING. THE DRAWING SHOWS DESIGN INTENT ONLY. ALL DIMENSIONS TO BE CHECKED ON SITE PRIOR TO CONSTRUCTION OR PRODUCTION. CONSTRUCTION DETAILS TO BE CONFIRMED BY CONTRACTOR/MANUFACTURER. FIGURE DIMENSIONS ARE TO BE TAKEN IN PREFERENCE TO THE SCALE DRAWING. ALL DISCREPANCIES AND COMMISSIONS ON SITE MUST BE REPORTED TO DESIGNER FOR THEIR COMMENTS OR APPROVAL PRIOR TO COMMENCING WORK. ALL ELECTRICAL LIGHTING, HVAC AND PLUMBING ISSUES TO BE REFERRED TO ENGINEERS DRAWINGS PRIOR TO COMMENCEMENT OF WORKS. THE DESIGNS ARE SUBJECT TO APPROVAL BY STATUTORY AUTHORITIES AND ANY NECESSARY ALTERATIONS SHOULD BE MADE TO COMPLY. THIS DOCUMENT INCLUDING ELECTRONIC FORMAT, MUST NOT BE USED, REPRODUCED OR COPIED WHOLLY OR IN PART WITHOUT PRIOR PERMISSION OF DESIGNER ©

NORTH

PROJECT

PROJECT NAME: IGA + Liquor
ADDRESS: Ashburton

PROJECT NUMBER

####

REVISION DETAILS

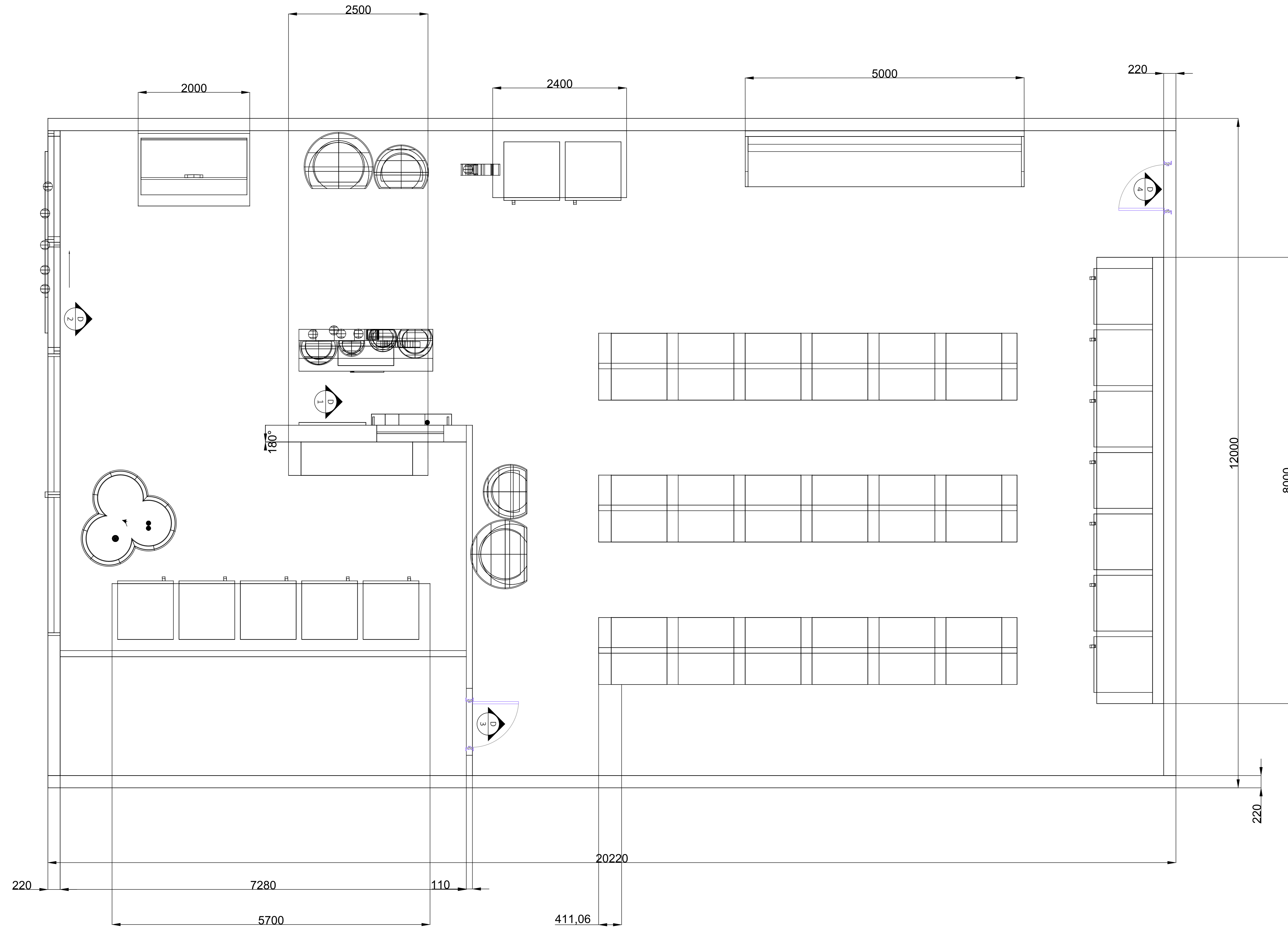
REV	DATE	DESCRIPTION	INITIAL
A	06/11/2022	TITLE PAGE	S.F.

DRAWING DETAILS

DRAWING: TITLE PAGE

SCALE:	REVISION:	SHEET:
DATE: 06/11/2022	A	0
DRAWN BY: S.F.		
CHECKED BY: A.A.		

LEGEND

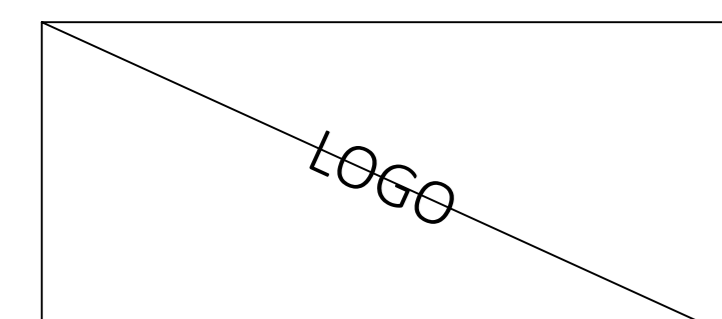


1 ELEVATION 1
1 SCALE 1:30 @ A3

NOTES

DESIGNER DETAILS

NAME:
T: +614 0000 0000
E: email@address.com



NOTE

DO NOT SCALE THIS DRAWING. THE DRAWING SHOWS DESIGN INTENT ONLY. ALL DIMENSIONS TO BE CHECKED ON SITE PRIOR TO CONSTRUCTION OR PRODUCTION. CONSTRUCTION DETAILS TO BE CONFIRMED BY CONTRACTOR/MANUFACTURER. FIGURE DIMENSIONS ARE TO BE TAKEN IN PREFERENCE TO THE SCALE DRAWING; ALL DISCREPANCIES AND COMMISSIONS ON SITE MUST BE REPORTED TO DESIGNER FOR THEIR COMMENTS OR APPROVAL PRIOR TO COMMENCING WORK; ALL ELECTRICAL LIGHTING, HVAC AND PLUMBING ISSUES TO BE REFERRED TO ENGINEERS DRAWINGS PRIOR TO COMMENCEMENT OF WORKS. THE DESIGNS ARE SUBJECT TO APPROVAL BY STATUTORY AUTHORITIES AND ANY NECESSARY ALTERATIONS SHOULD BE MADE TO COMPLY. THIS DOCUMENT INCLUDING ELECTRONIC FORMAT, MUST NOT BE USED, REPRODUCED OR COPIED WHOLLY OR IN PART WITHOUT PRIOR PERMISSION OF DESIGNER ©

NORTH

PROJECT

PROJECT NAME: ASSESSMENT 3
ADDRESS:

PROJECT NUMBER
####

REVISION DETAILS

REV	DATE	DESCRIPTION	INITIAL
A	4/12/2022	Floorplan	S.F.

DRAWING DETAILS

DRAWING: FLOORPLAN

SCALE: 1:30@A3

DATE: 4/12/2022

DRAWN BY: S.F.

CHECKED BY: A.A.

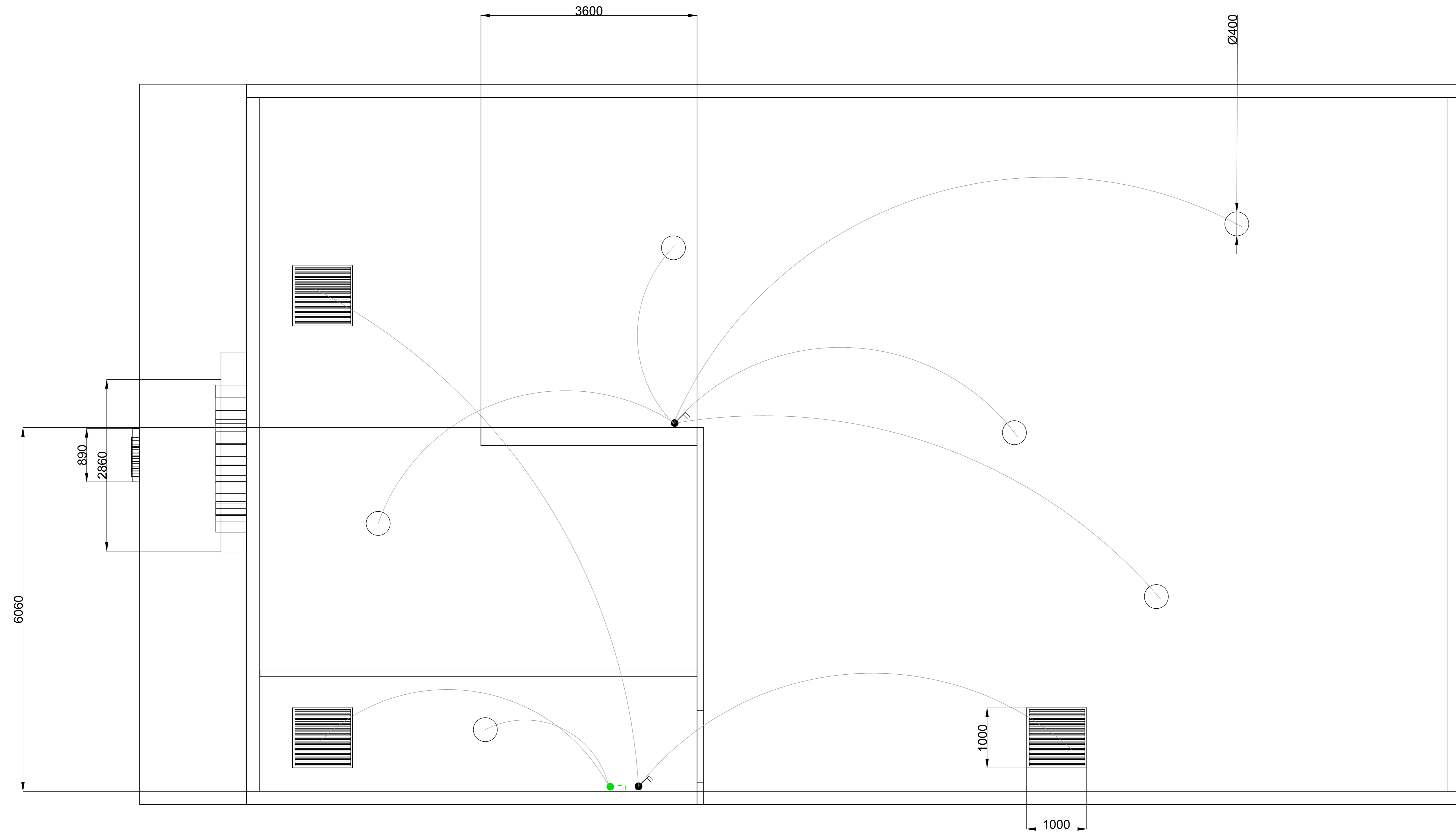
REVISION:

A

SHEET:

1

LEGEND

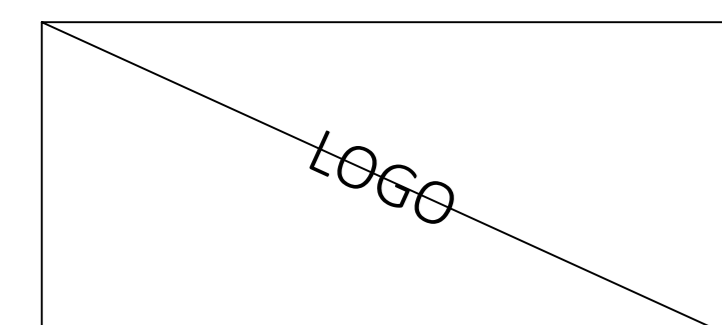


1 REVERSE CEILING PLAN
2 SCALE 1:30 @ A3

NOTES

DESIGNER DETAILS

NAME:
T: +614 0000 0000
E: email@address.com



NOTE

DO NOT SCALE THIS DRAWING. THE DRAWING SHOWS DESIGN INTENT ONLY. ALL DIMENSIONS TO BE CHECKED ON SITE PRIOR TO CONSTRUCTION OR PRODUCTION. CONSTRUCTION DETAILS TO BE CONFIRMED BY CONTRACTOR/MANUFACTURER. FIGURE DIMENSIONS ARE TO BE TAKEN IN PREFERENCE TO THE SCALE DRAWING; ALL DISCREPANCIES AND COMMISSIONS ON SITE MUST BE REPORTED TO DESIGNER FOR THEIR COMMENTS OR APPROVAL PRIOR TO COMMENCING WORK; ALL ELECTRICAL LIGHTING, HVAC AND PLUMBING ISSUES TO BE REFERRED TO ENGINEERS DRAWINGS PRIOR TO COMMENCEMENT OF WORKS. THE DESIGNS ARE SUBJECT TO APPROVAL BY STATUTORY AUTHORITIES AND ANY NECESSARY ALTERATIONS SHOULD BE MADE TO COMPLY. THIS DOCUMENT INCLUDING ELECTRONIC FORMAT, MUST NOT BE USED, REPRODUCED OR COPIED WHOLLY OR IN PART WITHOUT PRIOR PERMISSION OF DESIGNER ©

NORTH

PROJECT

PROJECT NAME: ASSESSMENT 3
ADDRESS:

PROJECT NUMBER
####

REVISION DETAILS

REV	DATE	DESCRIPTION	INITIAL
A	4/12/2022	Reflected Ceiling Plan	S.F.

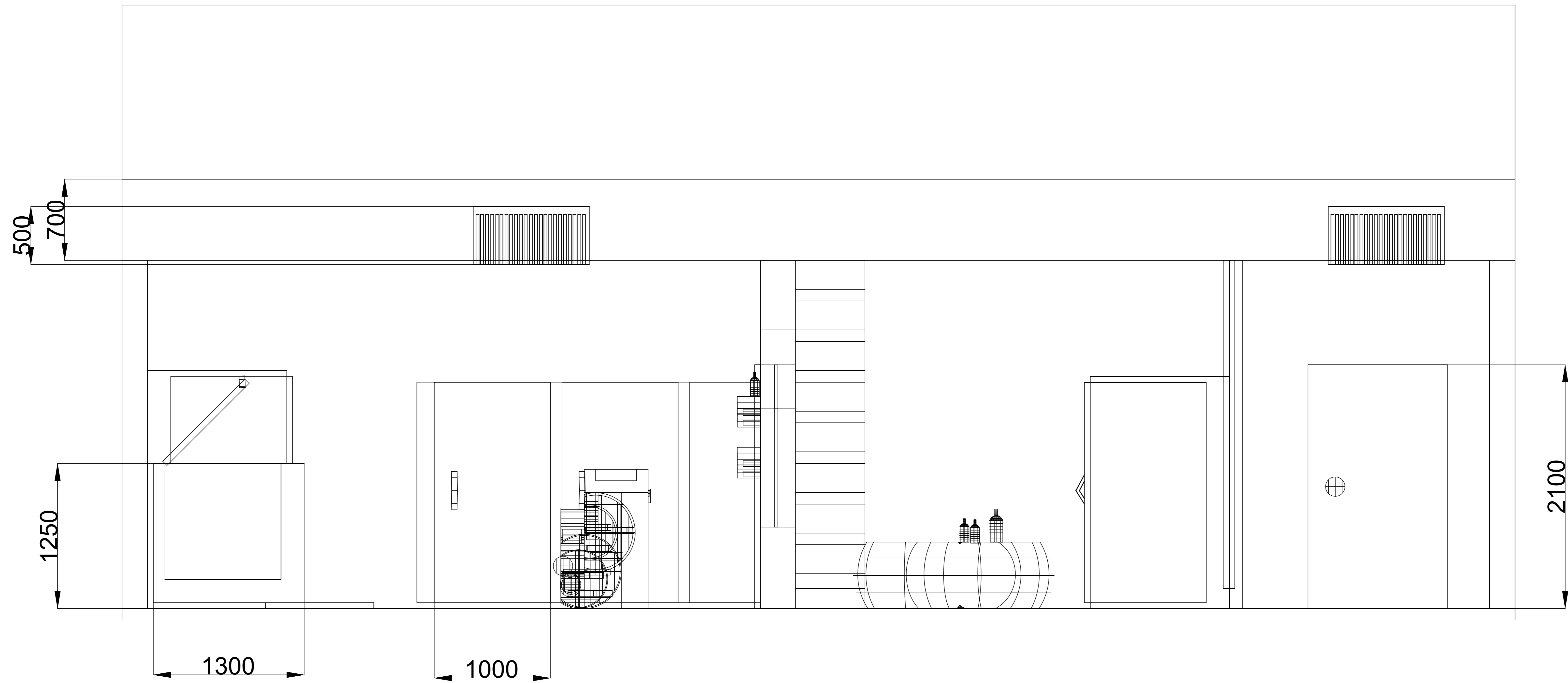
DRAWING DETAILS

DRAWING: REFLECTED CEILING PLAN

SCALE: 1:30@A3	REVISION: A	SHEET: 1
DATE: 4/12/2022		
DRAWN BY: S.F.		
CHECKED BY: A.A.		

LEGEND

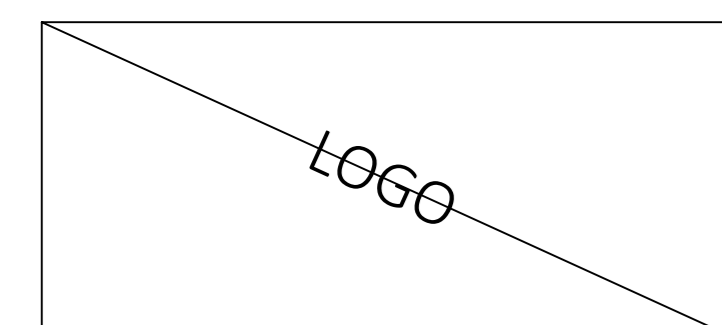
NOTES



1 ELEVATION 1
3 SCALE 1:16 @ A3

DESIGNER DETAILS

NAME:
T: +614 0000 0000
E: email@address.com



NOTE

DO NOT SCALE THIS DRAWING. THE DRAWING SHOWS DESIGN INTENT ONLY. ALL DIMENSIONS TO BE CHECKED ON SITE PRIOR TO CONSTRUCTION OR PRODUCTION. CONSTRUCTION DETAILS TO BE CONFIRMED BY CONTRACTOR/MANUFACTURER. FIGURE DIMENSIONS ARE TO BE TAKEN IN PREFERENCE TO THE SCALE DRAWING; ALL DISCREPANCIES AND COMMISSIONS ON SITE MUST BE REPORTED TO DESIGNER FOR THEIR COMMENTS OR APPROVAL PRIOR TO COMMENCING WORK; ALL ELECTRICAL LIGHTING, HVAC AND PLUMBING ISSUES TO BE REFERRED TO ENGINEERS DRAWINGS PRIOR TO COMMENCEMENT OF WORKS. THE DESIGNS ARE SUBJECT TO APPROVAL BY STATUTORY AUTHORITIES AND ANY NECESSARY ALTERATIONS SHOULD BE MADE TO COMPLY. THIS DOCUMENT INCLUDING ELECTRONIC FORMAT, MUST NOT BE USED, REPRODUCED OR COPIED WHOLLY OR IN PART WITHOUT PRIOR PERMISSION OF DESIGNER ©

NORTH

PROJECT

PROJECT NAME: ASSESSMENT 3
ADDRESS:

PROJECT NUMBER
####

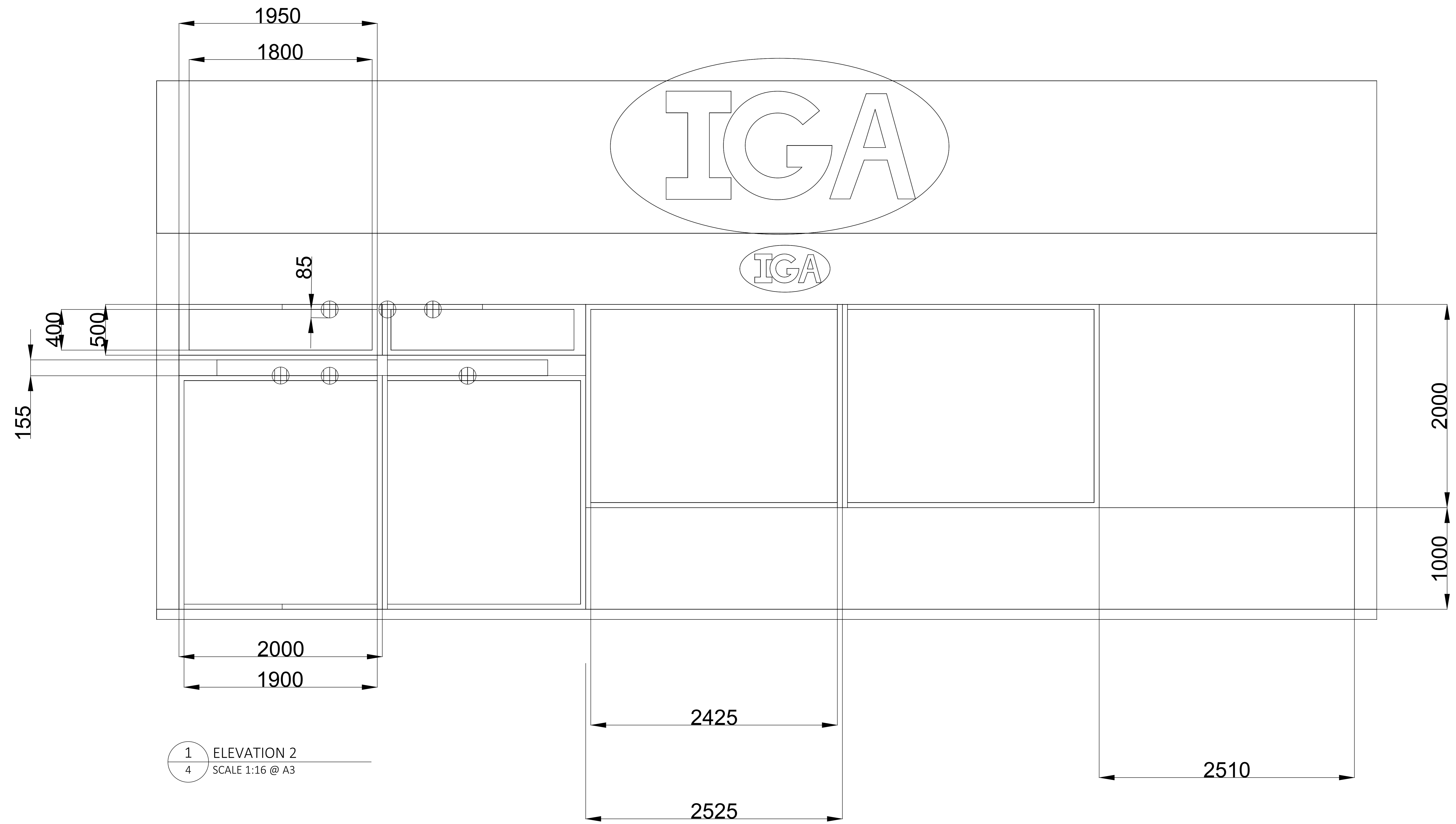
REVISION DETAILS

REV	DATE	DESCRIPTION	INITIAL
A	4/12/2022	Elevation 1	S.F.

DRAWING DETAILS

DRAWING: ELEVATION 1		
SCALE: 1:16@A3	REVISION:	SHEET:
DATE: 4/12/2022	A	1
DRAWN BY: S.F.		
CHECKED BY: A.A.		

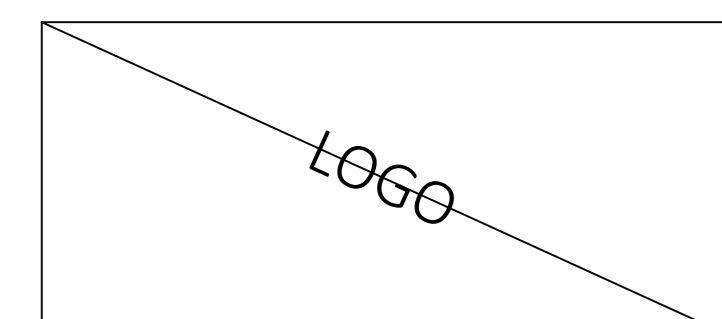
LEGEND



1 ELEVATION 2
4 SCALE 1:16 @ A3

NOTES

DESIGNER DETAILS
NAME:
T: +614 0000 0000
E: email@address.com



NOTE
DO NOT SCALE THIS DRAWING. THE DRAWING SHOWS DESIGN INTENT ONLY. ALL DIMENSIONS TO BE CHECKED ON SITE PRIOR TO CONSTRUCTION OR PRODUCTION. CONSTRUCTION DETAILS TO BE CONFIRMED BY CONTRACTOR/MANUFACTURER. FIGURE DIMENSIONS ARE TO BE TAKEN IN PREFERENCE TO THE SCALE DRAWING; ALL DISCREPANCIES AND COMMISSIONS ON SITE MUST BE REPORTED TO DESIGNER FOR THEIR COMMENTS OR APPROVAL PRIOR TO COMMENCING WORK; ALL ELECTRICAL LIGHTING, HVAC AND PLUMBING ISSUES TO BE REFERRED TO ENGINEERS DRAWINGS PRIOR TO COMMENCEMENT OF WORKS. THE DESIGNS ARE SUBJECT TO APPROVAL BY STATUTORY AUTHORITIES AND ANY NECESSARY ALTERATIONS SHOULD BE MADE TO COMPLY. THIS DOCUMENT INCLUDING ELECTRONIC FORMAT, MUST NOT BE USED, REPRODUCED OR COPIED WHOLLY OR IN PART WITHOUT PRIOR PERMISSION OF DESIGNER ©

NORTH

PROJECT
PROJECT NAME: ASSESSMENT 3
ADDRESS:

PROJECT NUMBER
####

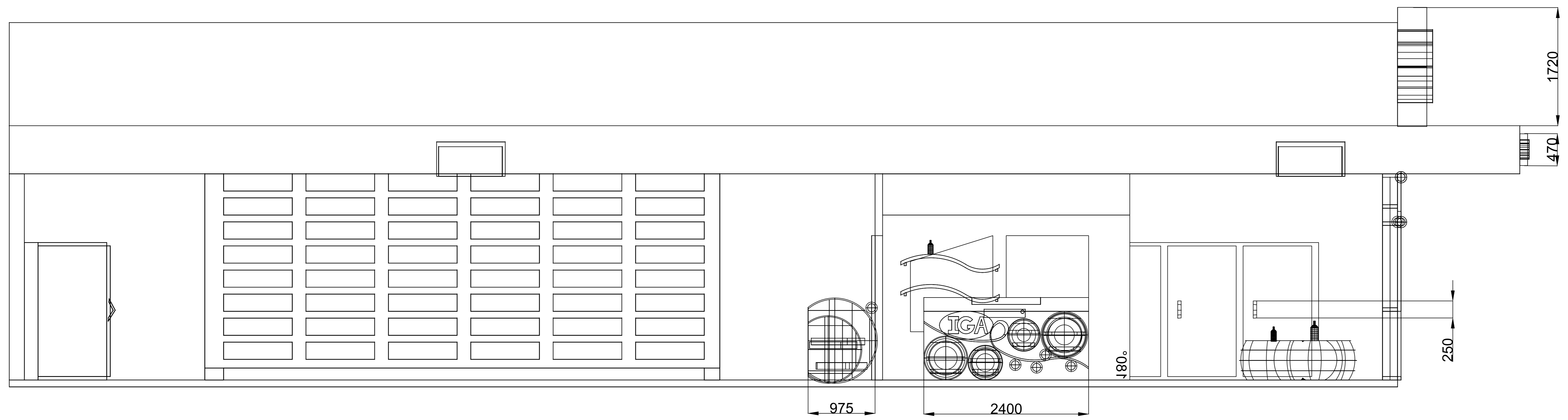
REVISION DETAILS

REV	DATE	DESCRIPTION	INITIAL
A	4/12/2022	Elevation 2	S.F.

DRAWING DETAILS

DRAWING: ELEVATION 2		
SCALE: 1:16@A3	REVISION:	SHEET:
DATE: 4/12/2022	A	1
DRAWN BY: S.F.		
CHECKED BY: A.A.		

LEGEND

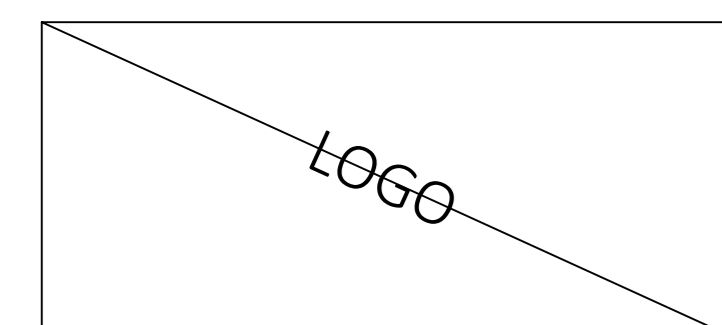


1 ELEVATION 3
5 SCALE 1:30 @ A3

NOTES

DESIGNER DETAILS

NAME:
T: +614 0000 0000
E: email@address.com



NOTE

DO NOT SCALE THIS DRAWING. THE DRAWING SHOWS DESIGN INTENT ONLY. ALL DIMENSIONS TO BE CHECKED ON SITE PRIOR TO CONSTRUCTION OR PRODUCTION. CONSTRUCTION DETAILS TO BE CONFIRMED BY CONTRACTOR/MANUFACTURER. FIGURE DIMENSIONS ARE TO BE TAKEN IN PREFERENCE TO THE SCALE DRAWING. ALL DISCREPANCIES AND COMMISSIONS ON SITE MUST BE REPORTED TO DESIGNER FOR THEIR COMMENTS OR APPROVAL PRIOR TO COMMENCING WORK. ALL ELECTRICAL LIGHTING, HVAC AND PLUMBING ISSUES TO BE REFERRED TO ENGINEERS DRAWINGS PRIOR TO COMMENCEMENT OF WORKS. THE DESIGNS ARE SUBJECT TO APPROVAL BY STATUTORY AUTHORITIES AND ANY NECESSARY ALTERATIONS SHOULD BE MADE TO COMPLY. THIS DOCUMENT INCLUDING ELECTRONIC FORMAT, MUST NOT BE USED, REPRODUCED OR COPIED WHOLLY OR IN PART WITHOUT PRIOR PERMISSION OF DESIGNER ©

NORTH

PROJECT

PROJECT NAME: ASSESSMENT 3
ADDRESS:

PROJECT NUMBER
####

REVISION DETAILS

REV	DATE	DESCRIPTION	INITIAL
A	4/12/2022	Elevation 3	S.F.

DRAWING DETAILS

DRAWING: ELEVATION 3

SCALE: 1:30@A3

DATE: 4/12/2022

DRAWN BY: S.F.

CHECKED BY: A.A.

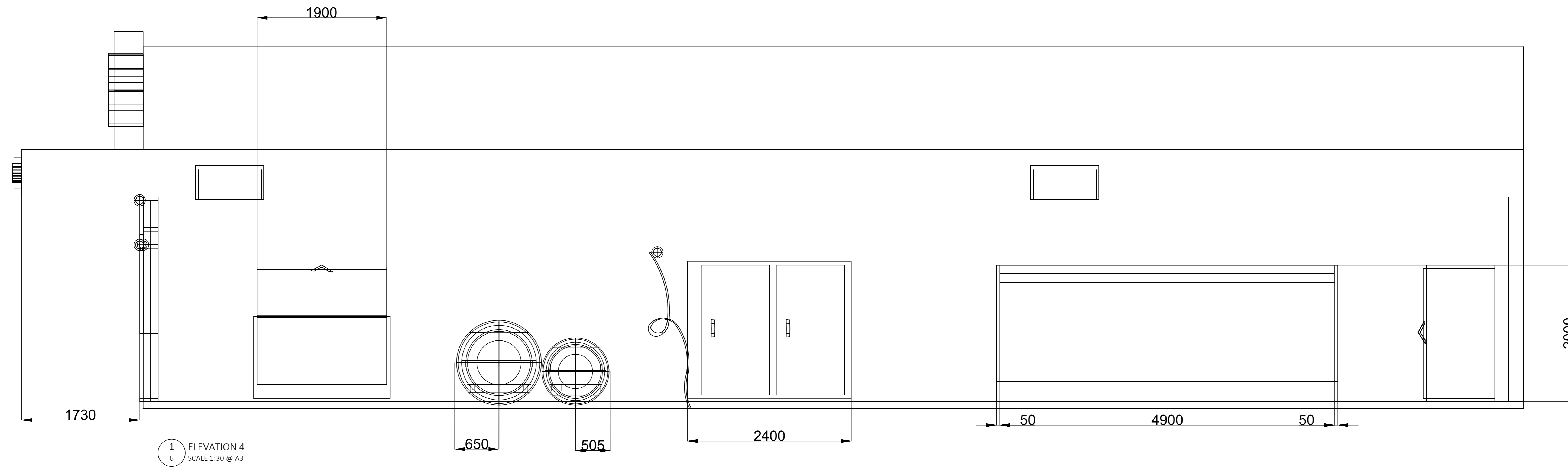
REVISION:

A

SHEET:

1

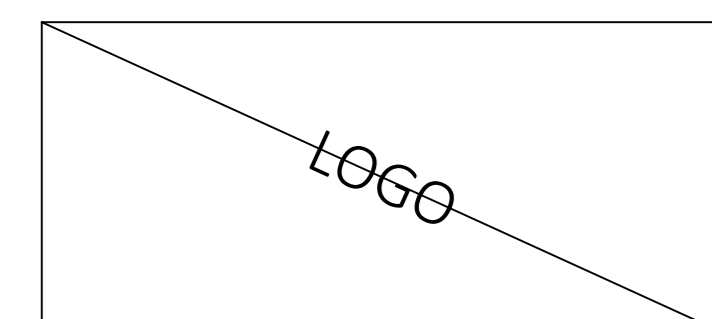
LEGEND



NOTES

DESIGNER DETAILS

NAME:
T: +614 0000 0000
E: email@address.com



NOTE

DO NOT SCALE THIS DRAWING. THE DRAWING SHOWS DESIGN INTENT ONLY. ALL DIMENSIONS TO BE CHECKED ON SITE PRIOR TO CONSTRUCTION OR PRODUCTION. CONSTRUCTION DETAILS TO BE CONFIRMED BY CONTRACTOR/MANUFACTURER. FIGURE DIMENSIONS ARE TO BE TAKEN IN PREFERENCE TO THE SCALE DRAWING. ALL DISCREPANCIES AND COMMISSIONS ON SITE MUST BE REPORTED TO DESIGNER FOR THEIR COMMENTS OR APPROVAL PRIOR TO COMMENCING WORK. ALL ELECTRICAL LIGHTING, HVAC AND PLUMBING ISSUES TO BE REFERRED TO ENGINEERS DRAWINGS PRIOR TO COMMENCEMENT OF WORKS. THE DESIGNS ARE SUBJECT TO APPROVAL BY STATUTORY AUTHORITIES AND ANY NECESSARY ALTERATIONS SHOULD BE MADE TO COMPLY. THIS DOCUMENT INCLUDING ELECTRONIC FORMAT, MUST NOT BE USED, REPRODUCED OR COPIED WHOLLY OR IN PART WITHOUT PRIOR PERMISSION OF DESIGNER ©

NORTH

PROJECT

PROJECT NAME: ASSESSMENT 3
ADDRESS:

PROJECT NUMBER
####

REVISION DETAILS

REV	DATE	DESCRIPTION	INITIAL
A	4/12/2022	Elevation 4	S.F.

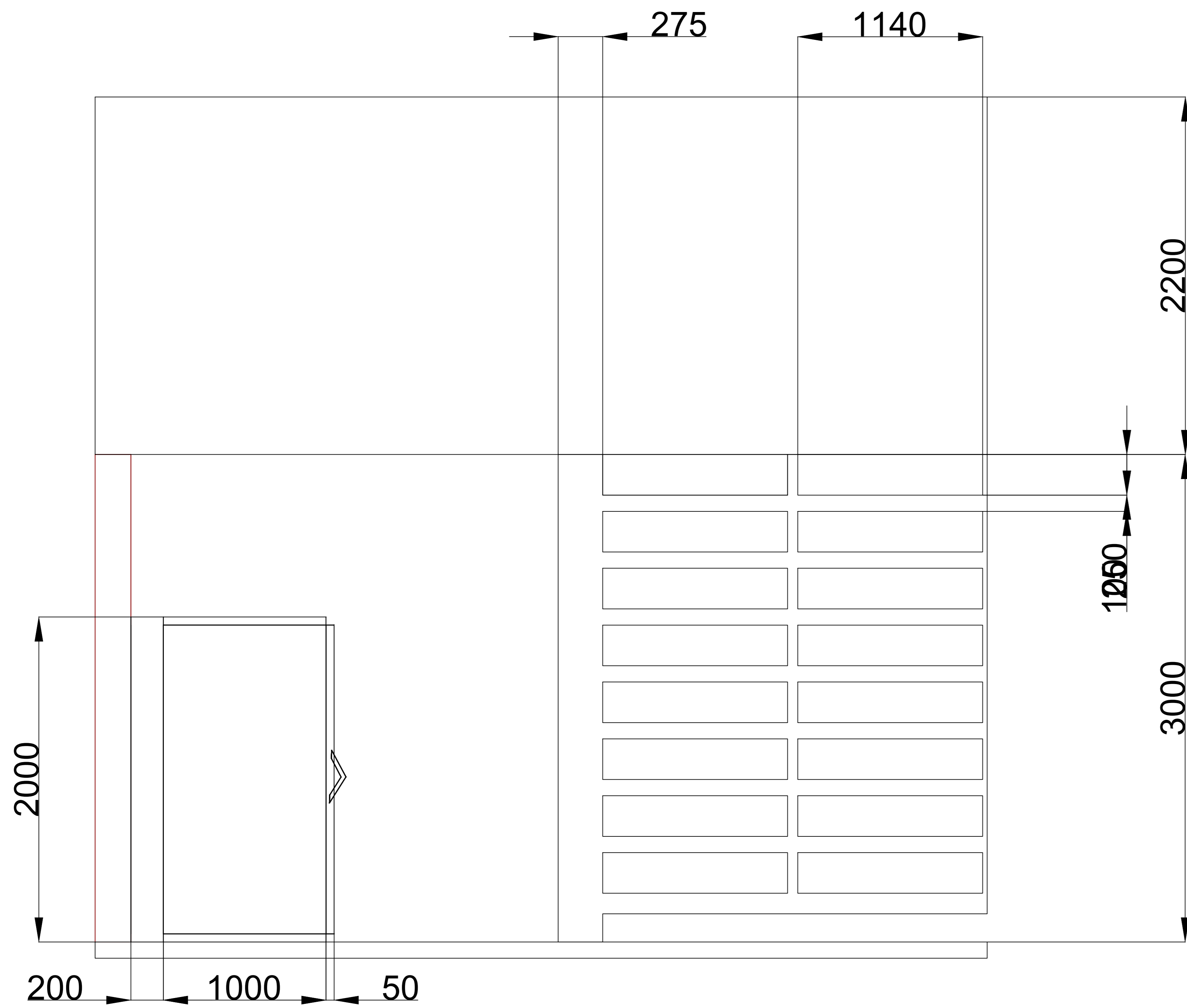
DRAWING DETAILS

DRAWING: ELEVATION 4

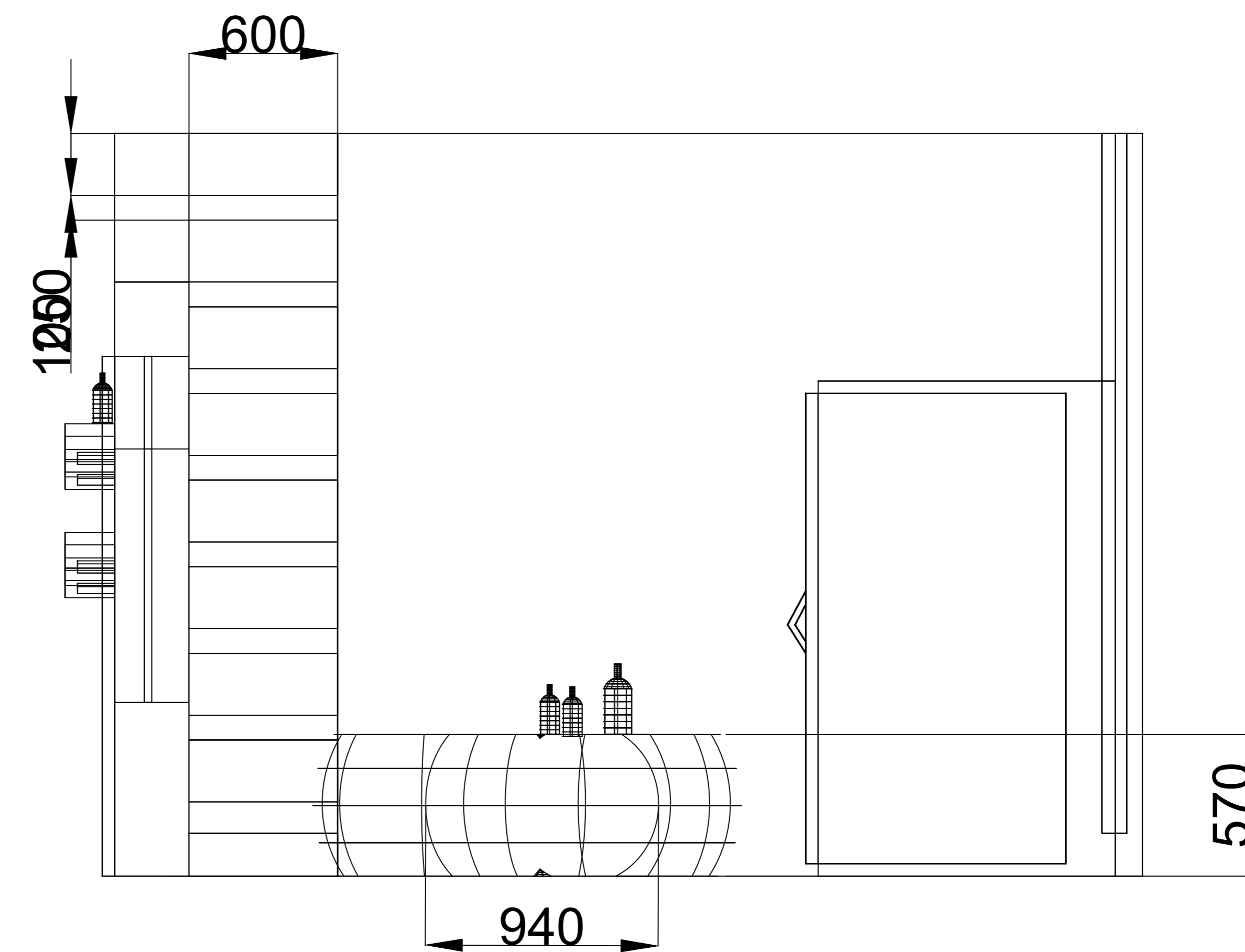
SCALE:	REVISION:	SHEET:
1:30@A3	A	1
DATE: 4/12/2022		
DRAWN BY: S.F.		
CHECKED BY: A.A.		

LEGEND

NOTES

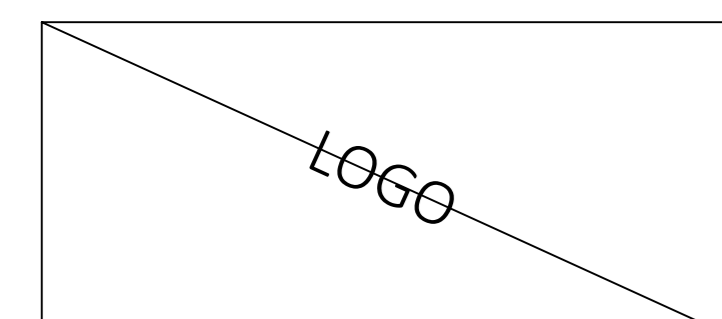


1 SECTIONAL 1
7 SCALE 1:16 @ A3



1 SECTIONAL 2
7 SCALE 1:16 @ A3

DESIGNER DETAILS
NAME:
T: +614 0000 0000
E: email@address.com



NOTE
DO NOT SCALE THIS DRAWING. THE DRAWING SHOWS DESIGN INTENT ONLY. ALL DIMENSIONS TO BE CHECKED ON SITE PRIOR TO CONSTRUCTION OR PRODUCTION. CONSTRUCTION DETAILS TO BE CONFIRMED BY CONTRACTOR/MANUFACTURER. FIGURE DIMENSIONS ARE TO BE TAKEN IN PREFERENCE TO THE SCALE DRAWING; ALL DISCREPANCIES AND COMMISSIONS ON SITE MUST BE REPORTED TO DESIGNER FOR THEIR COMMENTS OR APPROVAL PRIOR TO COMMENCING WORK; ALL ELECTRICAL LIGHTING, HVAC AND PLUMBING ISSUES TO BE REFERRED TO ENGINEERS DRAWINGS PRIOR TO COMMENCEMENT OF WORKS. THE DESIGNS ARE SUBJECT TO APPROVAL BY STATUTORY AUTHORITIES AND ANY NECESSARY ALTERATIONS SHOULD BE MADE TO COMPLY. THIS DOCUMENT INCLUDING ELECTRONIC FORMAT, MUST NOT BE USED, REPRODUCED OR COPIED WHOLLY OR IN PART WITHOUT PRIOR PERMISSION OF DESIGNER ©

NORTH

PROJECT
PROJECT NAME: ASSESSMENT 3
ADDRESS:

PROJECT NUMBER
####

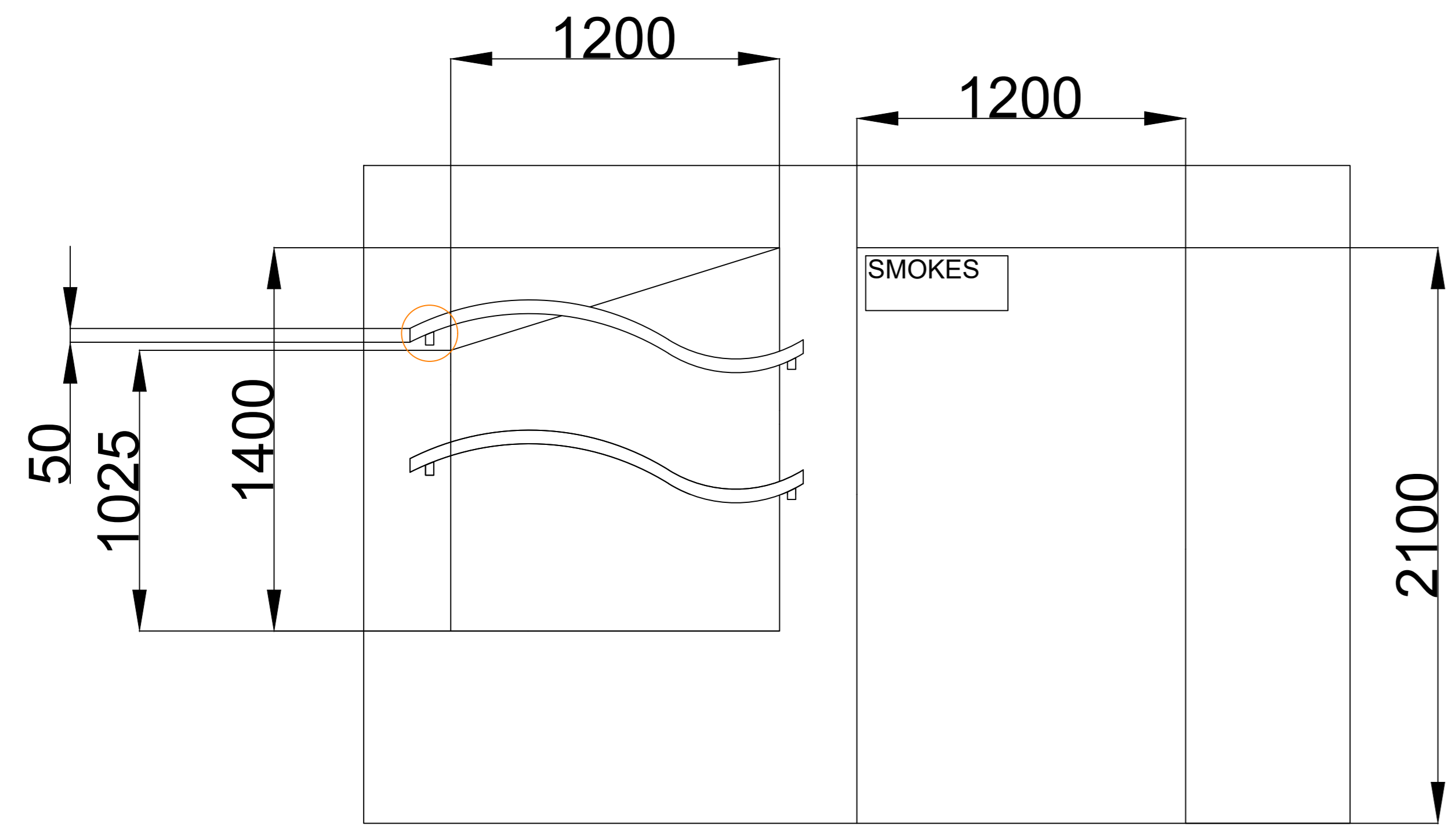
REVISION DETAILS

REV	DATE	DESCRIPTION	INITIAL
A	4/12/2022	Sectionals	S.F.

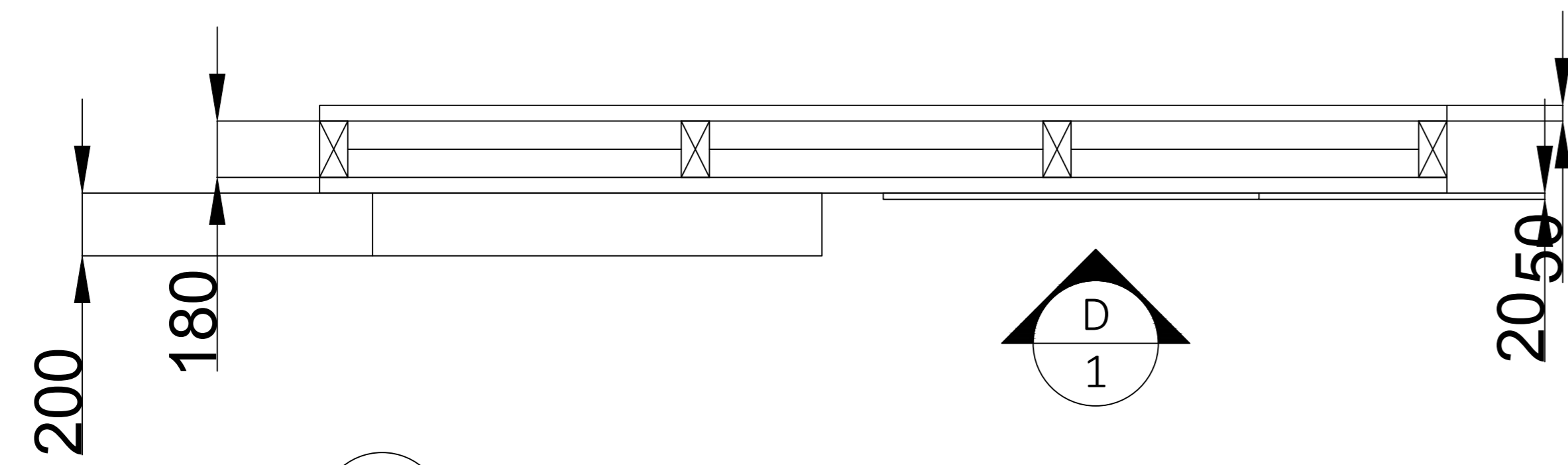
DRAWING DETAILS

DRAWING: SECTIONALS		
SCALE: 1:16@A3	REVISION:	SHEET:
DATE: 4/12/2022	A	1
DRAWN BY: S.F.		
CHECKED BY: A.A.		

LEGEND

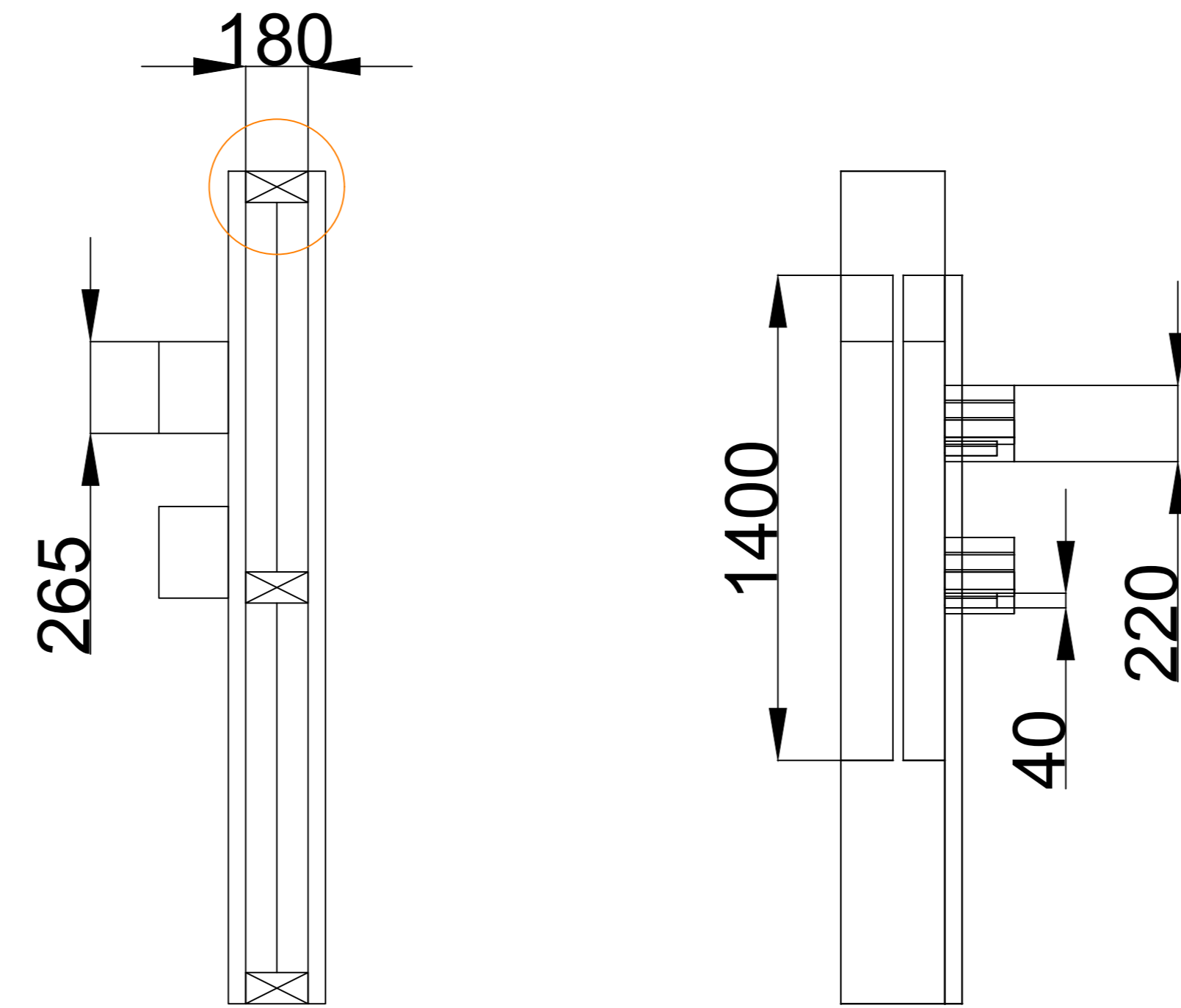


1 ELEVATION 1
8 SCALE 1:16 @ A3

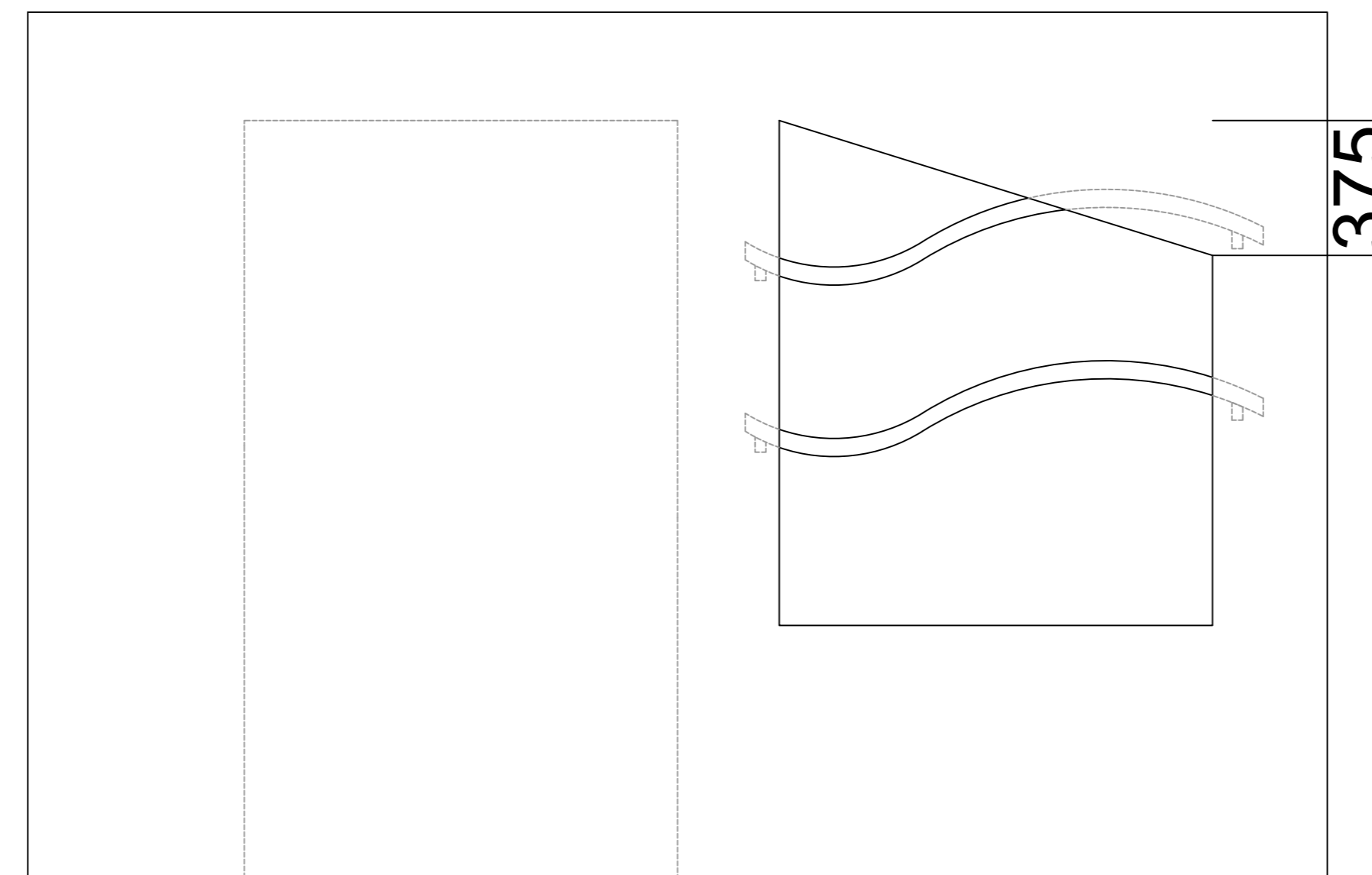


2 PLAN
8 SCALE 1:16 @ A3

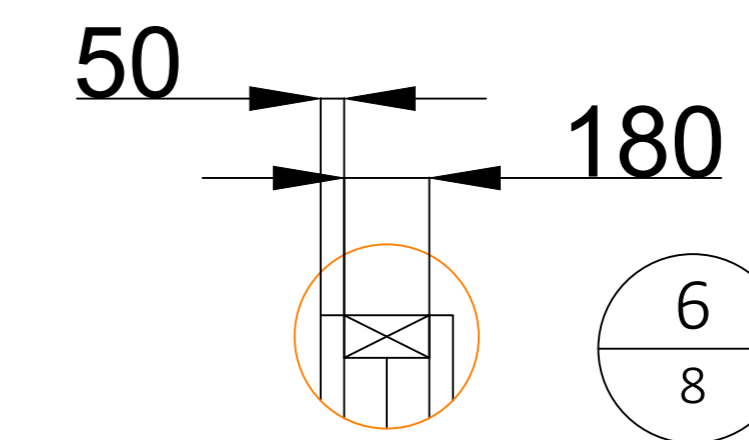
4 SECTIONAL 2
8 SCALE 1:16 @ A3



5 SECTIONAL 1
8 SCALE 1:16 @ A3

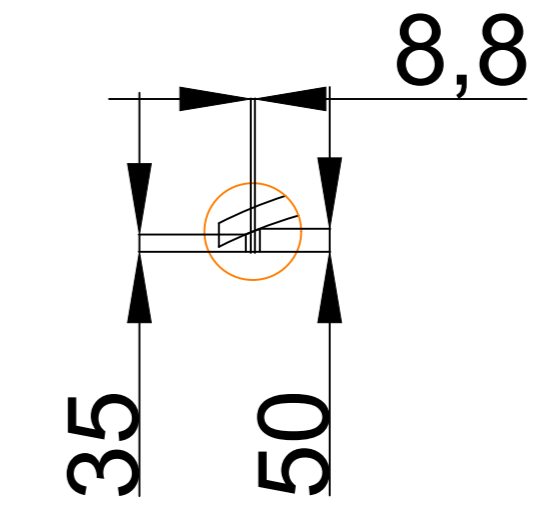


3 ELEVATION 2
8 SCALE 1:16 @ A3



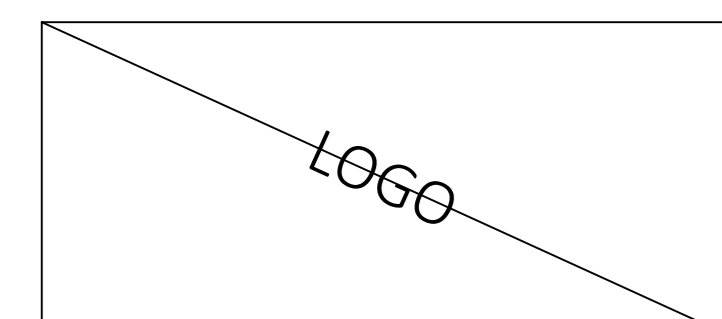
6 DETAIL 1
8 SCALE 1:16 @ A3

7 DETAIL 2
8 SCALE 1:16 @ A3



NOTES

DESIGNER DETAILS
NAME:
T: +614 0000 0000
E: email@address.com



NOTE
DO NOT SCALE THIS DRAWING. THE DRAWING SHOWS DESIGN INTENT ONLY. ALL DIMENSIONS TO BE CHECKED ON SITE PRIOR TO CONSTRUCTION OR PRODUCTION. CONSTRUCTION DETAILS TO BE CONFIRMED BY CONTRACTOR/MANUFACTURER. FIGURE DIMENSIONS ARE TO BE TAKEN IN PREFERENCE TO THE SCALE DRAWING; ALL DISCREPANCIES AND COMMISSIONS ON SITE MUST BE REPORTED TO DESIGNER FOR THEIR COMMENTS OR APPROVAL PRIOR TO COMMENCING WORK; ALL ELECTRICAL LIGHTING, HVAC AND PLUMBING ISSUES TO BE REFERRED TO ENGINEERS DRAWINGS PRIOR TO COMMENCEMENT OF WORKS. THE DESIGNS ARE SUBJECT TO APPROVAL BY STATUTORY AUTHORITIES AND ANY NECESSARY ALTERATIONS SHOULD BE MADE TO COMPLY. THIS DOCUMENT INCLUDING ELECTRONIC FORMAT, MUST NOT BE USED, REPRODUCED OR COPIED WHOLLY OR IN PART WITHOUT PRIOR PERMISSION OF DESIGNER ©

NORTH

PROJECT
PROJECT NAME: ASSESSMENT 3
ADDRESS:

PROJECT NUMBER
####

REVISION DETAILS

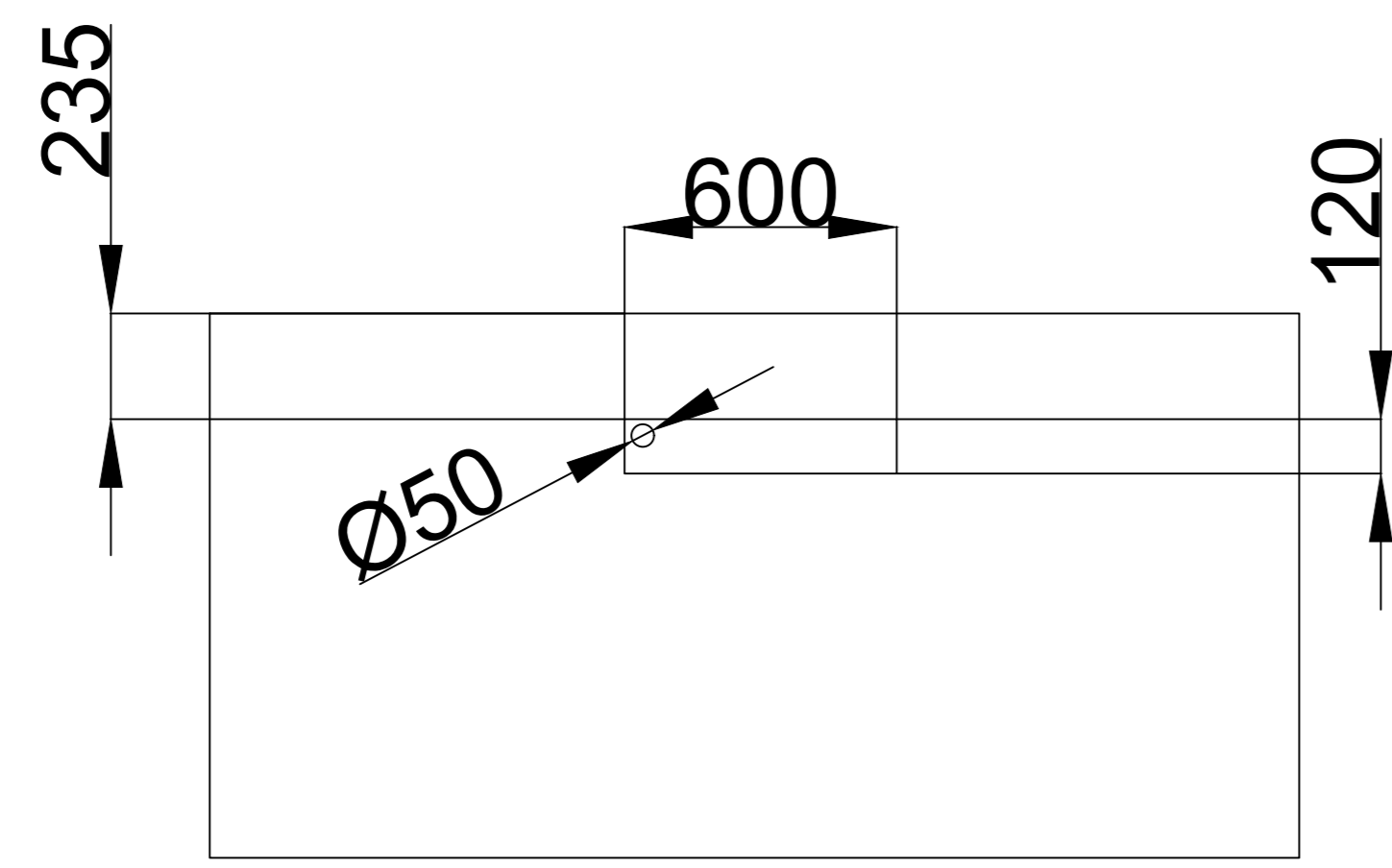
REV	DATE	DESCRIPTION	INITIAL
A	4/12/2022	Design Element 1	S.F.

DRAWING DETAILS

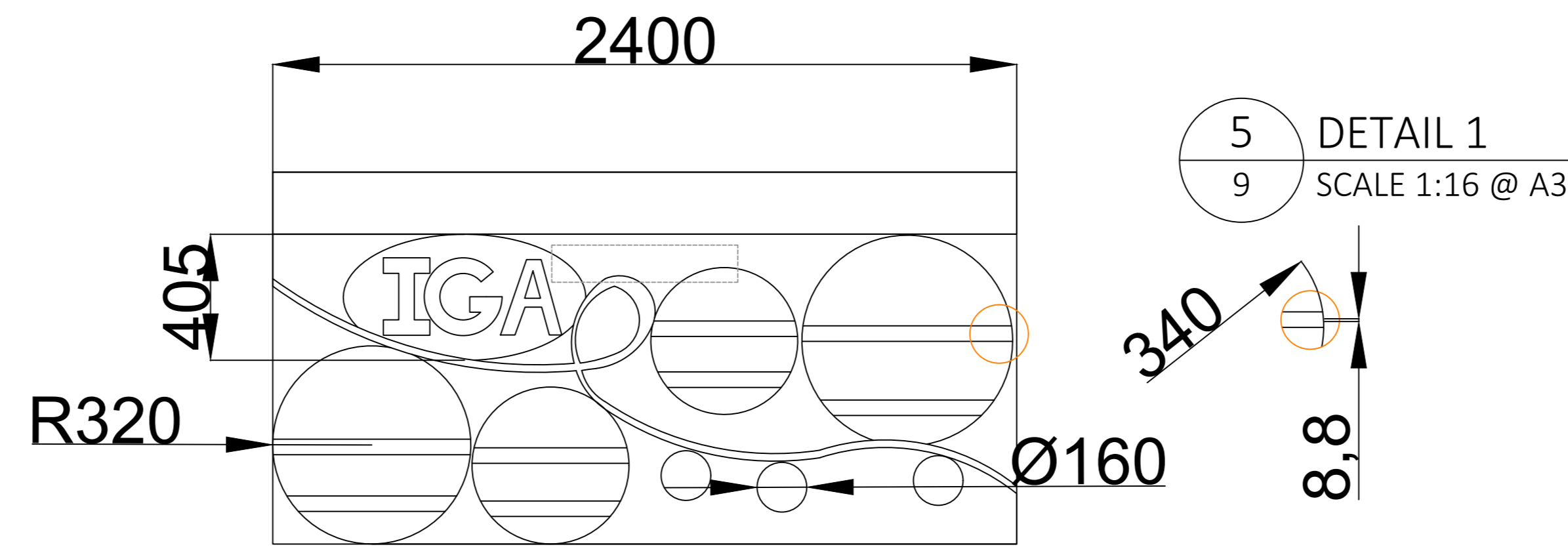
DRAWING: DESIGN ELEMENT 1

SCALE: 1:16@A3	REVISION:	SHEET:
DATE: 4/12/2022	A	1
DRAWN BY: S.F.		
CHECKED BY: A.A.		

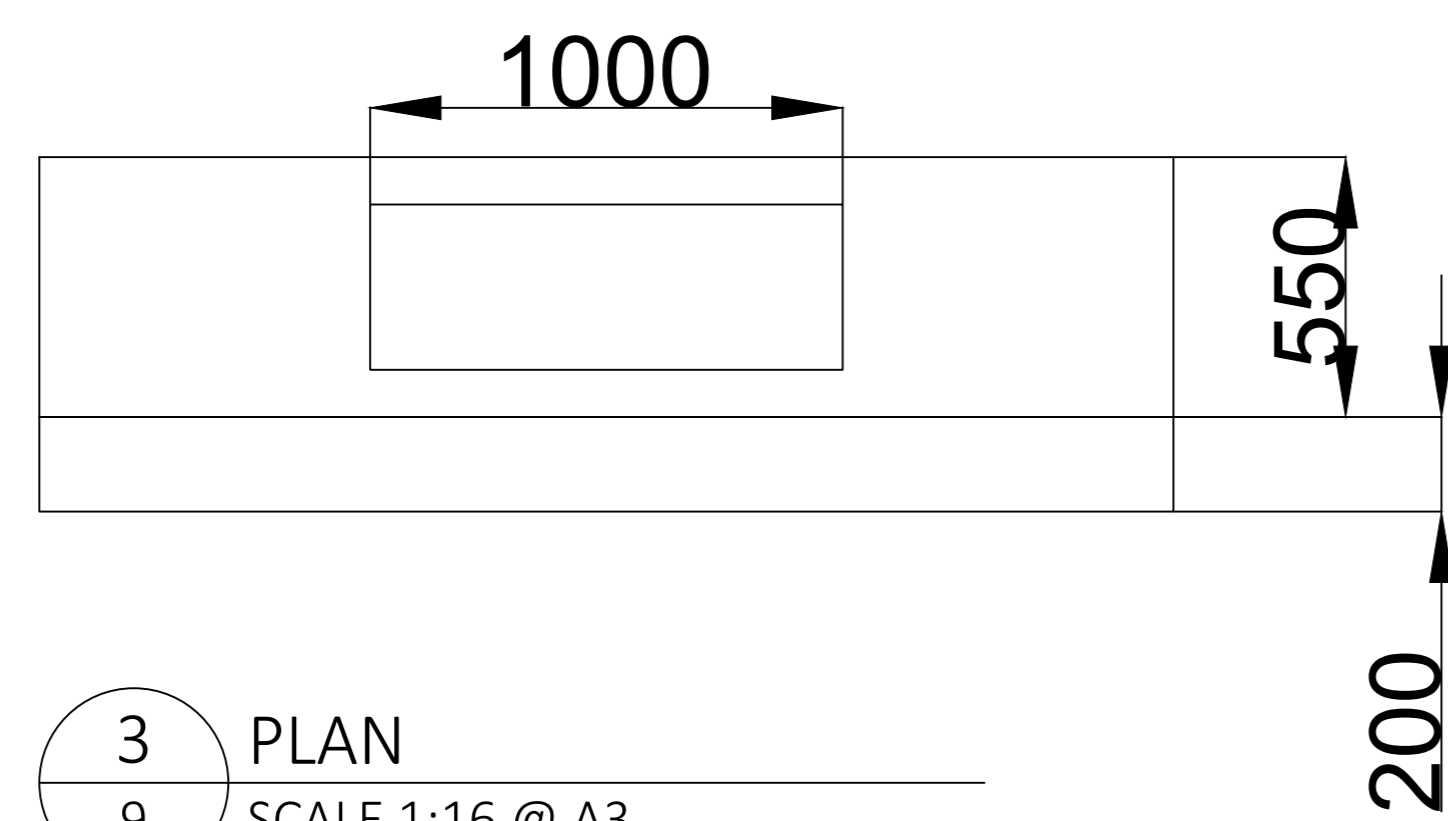
LEGEND



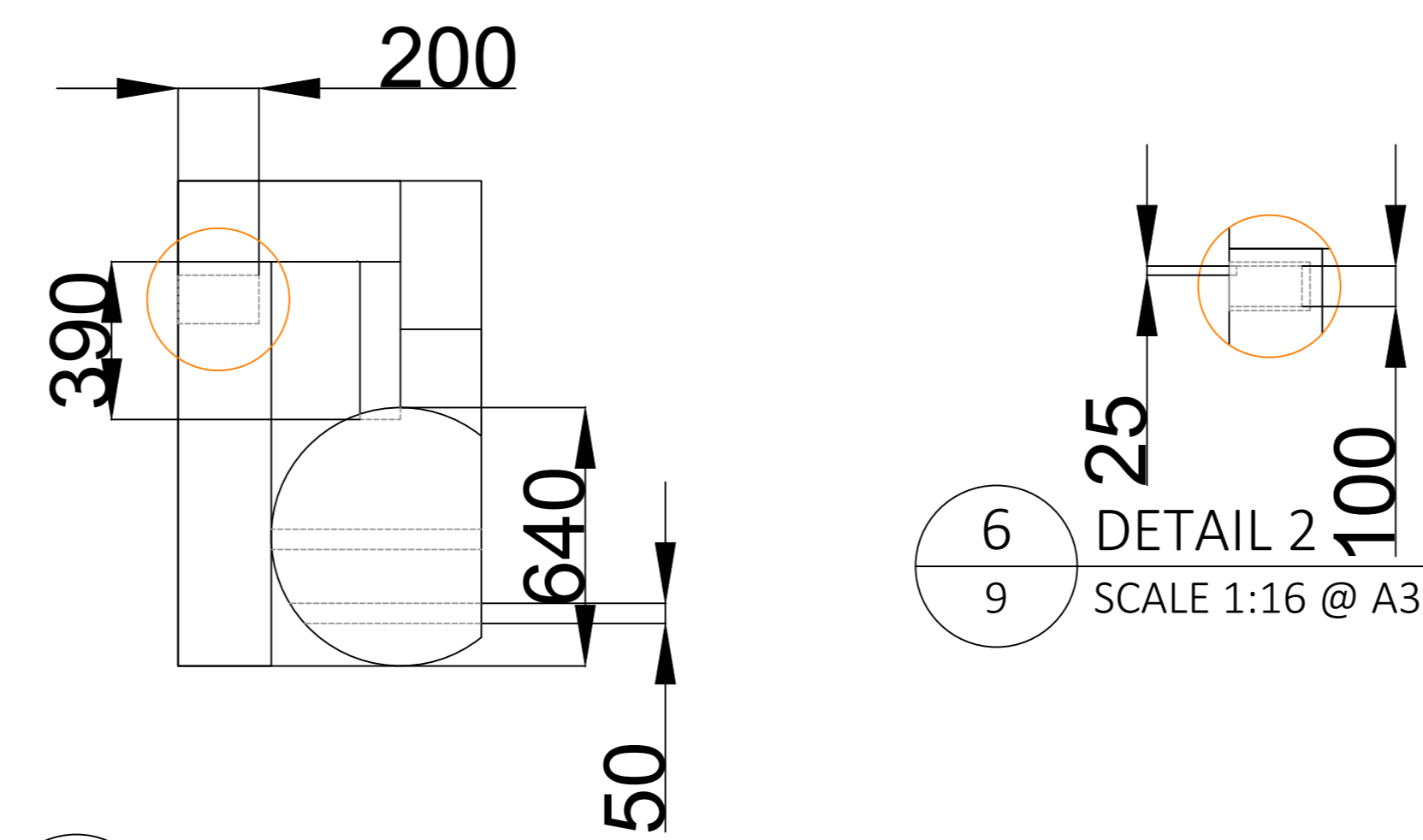
1 ELEVATION 1
9 SCALE 1:16 @ A3



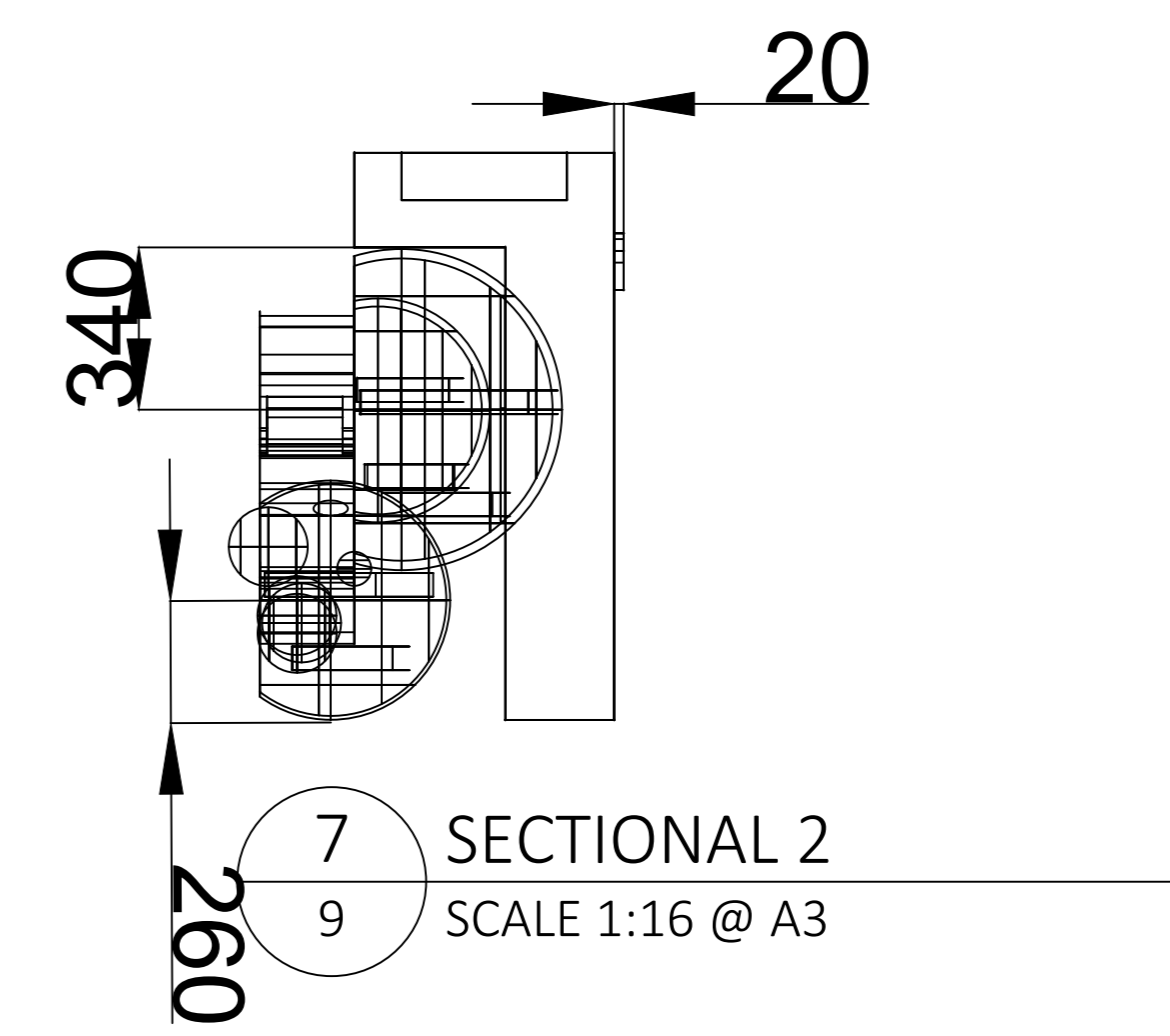
2 ELEVATION 2
9 SCALE 1:16 @ A3



3 PLAN
9 SCALE 1:16 @ A3



4 SECTIONAL 1
9 SCALE 1:16 @ A3



7 SECTIONAL 2
9 SCALE 1:16 @ A3

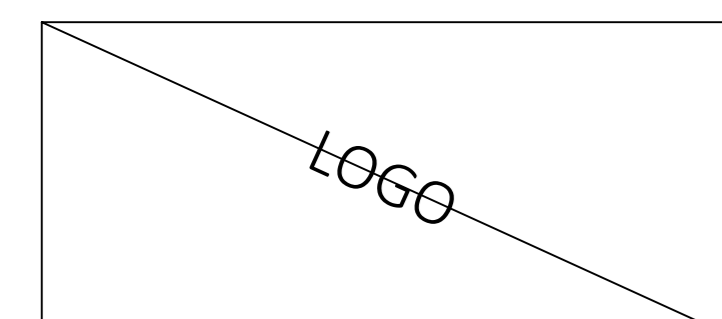
6 DETAIL 2
9 SCALE 1:16 @ A3

5 DETAIL 1
9 SCALE 1:16 @ A3

NOTES

DESIGNER DETAILS

NAME:
T: +614 0000 0000
E: email@address.com



NOTE

DO NOT SCALE THIS DRAWING. THE DRAWING SHOWS DESIGN INTENT ONLY. ALL DIMENSIONS TO BE CHECKED ON SITE PRIOR TO CONSTRUCTION OR PRODUCTION. CONSTRUCTION DETAILS TO BE CONFIRMED BY CONTRACTOR/MANUFACTURER. FIGURE DIMENSIONS ARE TO BE TAKEN IN PREFERENCE TO THE SCALE DRAWING; ALL DISCREPANCIES AND COMMISSIONS ON SITE MUST BE REPORTED TO DESIGNER FOR THEIR COMMENTS OR APPROVAL PRIOR TO COMMENCING WORK; ALL ELECTRICAL LIGHTING, HVAC AND PLUMBING ISSUES TO BE REFERRED TO ENGINEERS DRAWINGS PRIOR TO COMMENCEMENT OF WORKS. THE DESIGNS ARE SUBJECT TO APPROVAL BY STATUTORY AUTHORITIES AND ANY NECESSARY ALTERATIONS SHOULD BE MADE TO COMPLY. THIS DOCUMENT INCLUDING ELECTRONIC FORMAT, MUST NOT BE USED, REPRODUCED OR COPIED WHOLLY OR IN PART WITHOUT PRIOR PERMISSION OF DESIGNER ©

NORTH

PROJECT

PROJECT NAME: ASSESSMENT 3
ADDRESS:

PROJECT NUMBER
####

REVISION DETAILS

REV	DATE	DESCRIPTION	INITIAL
A	4/12/2022	Design Element 2	S.F.

DRAWING DETAILS

DRAWING: DESIGN ELEMENT 2

SCALE:	REVISION:	SHEET:
1:16@A3	A	1
DATE: 4/12/2022		
DRAWN BY: S.F.		
CHECKED BY: A.A.		