

# PROJECT

---

NAME: DCC100  
PROJECT NUMBER: 2022\_DCC100

# REVISION DETAILS

---

REVISION:	DATE:	DESCRIPTION:
A	08/05/2022	One Level House

# INDEX OF SHEETS

---

SHEET:	DRAWING:	SCALE:
1	FURNITURE PLAN	1:50@A3
2	FLOORPLAN	1:50@A3
3	ELEVATIONS	1:50@A3
4	SECTIONAL ELEVATION	1:50@A3
5	SECTION 1	1:20@A3
6	DETAILS	1:2@A3
7	REFLECTED CEILING PLAN	1:50@A3

# DESIGNER DETAILS

---

NAME: SAMUEL FORSYTHE  
CONTACT: samforsythe1809@gmail.com  
COMPANY: Independent Contract - Sam Forsythe

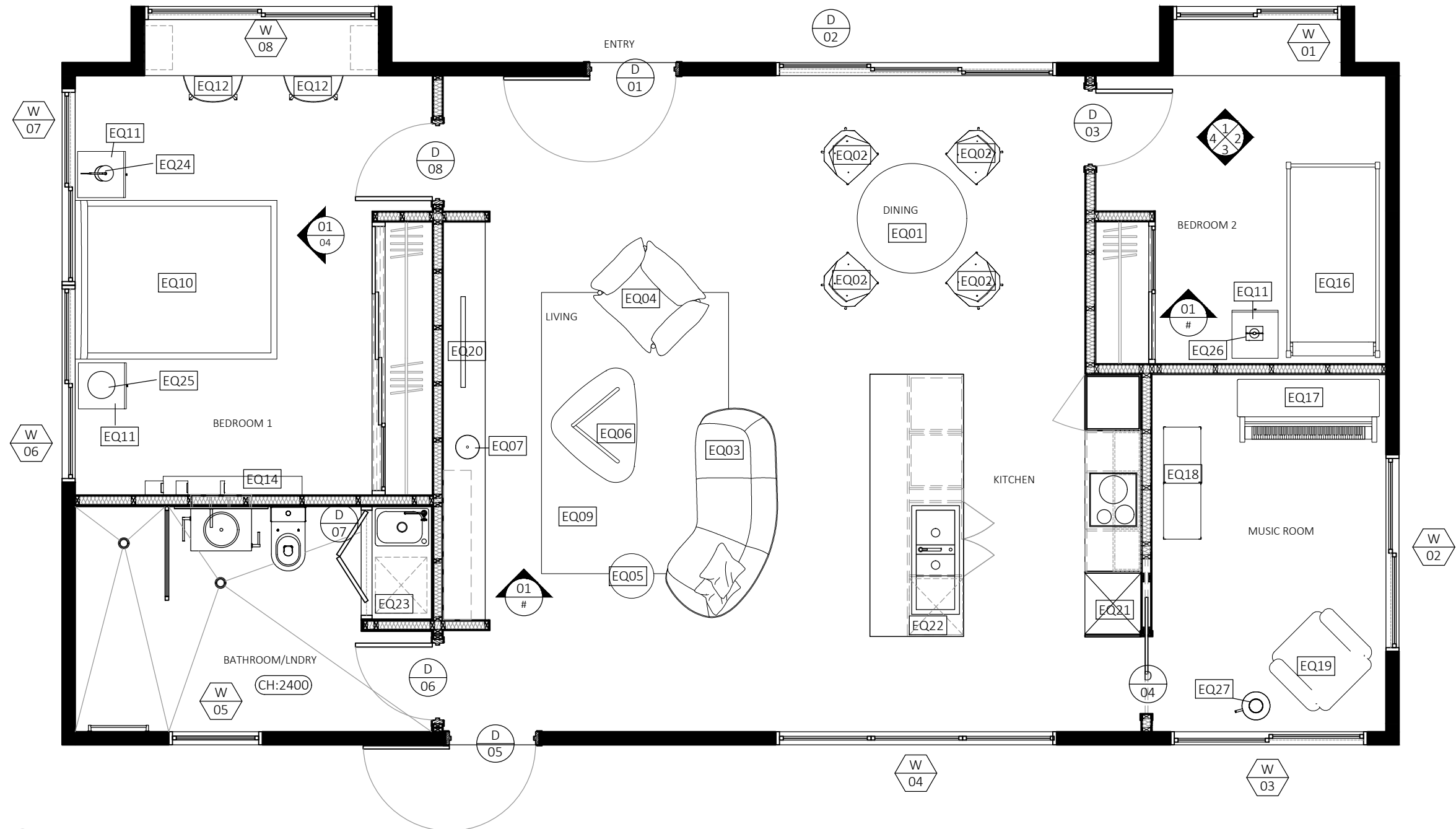
Hatches	
	Concrete
	Brickwork
	Blockwork
	Fibre Cement
	Plasterboard
	Earth
	MDF
	Plywood
	Dressed Timber
	Sawn Timber
	Carpet
	Insulation
	Glass
	Steel
	Stone
	Plastic
	Ceramic Tile
	Existing Structure

**NOTES**

- Window Number
- Door Number

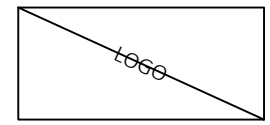
- EQ01 - I\_FRN\_DNNG\_TBL
- EQ02 - I\_FRN\_RLGD\_CH
- EQ03 - I\_FRN\_SF
- EQ04 - I\_FRN\_WLFRD\_CH
- EQ05 - I\_FRN\_OTTOMAN
- EQ06 - I\_FRN\_CT
- EQ07 - I\_FRN\_PLNTR\_SML
- EQ09 - I\_FRN\_RG
- EQ10 - I\_FRN\_CB
- EQ11 - I\_FRN\_BDST
- EQ12 - I\_FRN\_DSK\_CH
- EQ14 - I\_FRN\_BKWRD
- EQ16 - I\_FRN\_SB
- EQ17 - I\_FRN\_PIANO
- EQ18 - I\_FRN\_EMS\_STRG
- EQ19 - I\_FRN\_PFF\_CH
- EQ20 - SV\_EL\_EQ\_TV
- EQ21 - SV\_EL\_EQ\_FRDG
- EQ22 - SV\_EL\_EQ\_AP\_DW
- EQ23 - SV\_EL\_EQ\_AP\_WM
- EQ24 - SV\_EL\_EQ\_GRNT\_LMP
- EQ26 - SV\_EL\_EQ\_CRSTY\_LMP
- EQ27 - SV\_EL\_EQ\_FL\_LMP
- F03 - Interior Ceiling Finish
- F04 - Bathroom Ceiling Finish
- F05 - Interior Walls
- F06 - Interior Trims & Doors
- F08 - Interior Flooring
- F09 - Bathroom Floor Tiles
- F10 - Bathroom Wall Tiles
- F12 - Kitchen & Laundry Benchtop
- F14 - Living Entertainment Joinery
- F15 - Floating Shelves
- F16 - Bedroom 1 Desk
- F17 - Bedroom 2 Desk

- FX01 - Skirting and Architraves Finish
- FX03 - I\_FX\_DR\_HNDL
- FX06 - I\_FX\_JRNY\_DR\_HNDL
- FX08 - Bathroom Vanity
- FX10 - SV\_PL\_FX\_LNDRY\_SNK
- FX11 - I\_FX\_BTH\_SHVNG\_CBNT
- FX12 - SV\_PL\_FX\_BTH\_SHWR
- FX13 - SV\_PL\_FX\_LNDRY\_TPS
- FX14 - I\_FX\_BTH\_TPS\_HLDR
- FX15 - I\_FX\_BTH\_TWL\_HLDR
- FX16 - I\_FX\_BTH\_TWL\_RL
- FX17 - SV\_PL\_FX\_WST
- FX19 - SV\_PL\_FX\_TLT
- FX20 - I\_FX\_BTH\_SWR\_SCRN
- FX24 - Strip Lighting
- FX25 - SV\_FX\_TSTK
- FX26 - SV\_EL\_FX\_JLLY\_PDNT\_DBL
- FX27 - SV\_EL\_FX\_JLLY\_PDNT\_SNGL
- FX28 - SV\_EL\_FX\_MIAML\_PDNT
- FX29 - SV\_EL\_FX\_FN
- FX30 - SV\_EL\_FX\_CKTP
- FX36 - SV\_PL\_FX\_BTH\_TPS



01 FURNITURE PLAN  
07 SCALE 1:50 @ A3

**DESIGNER DETAILS**  
NAME:  
T: +614 0000 0000  
E: email@address.com



**NOTE**  
DO NOT SCALE THIS DRAWING. THE DRAWING SHOWS DESIGN INTENT ONLY. ALL DIMENSIONS TO BE CHECKED ON SITE PRIOR TO CONSTRUCTION OR PRODUCTION. CONSTRUCTION DETAILS TO BE CONFIRMED BY CONTRACTOR/MANUFACTURER. FIGURE DIMENSIONS ARE TO BE TAKEN IN PREFERENCE TO THE SCALE DRAWING; ALL DISCREPANCIES AND COMMISSIONS ON SITE MUST BE REPORTED TO DESIGNER FOR THEIR COMMENTS OR APPROVAL PRIOR TO COMMENCING WORK. ALL ELECTRICAL LIGHTING, HVAC AND PLUMBING ISSUES TO BE REFERRED TO ENGINEERS DRAWINGS PRIOR TO COMMENCEMENT OF WORKS. THE DESIGNS ARE SUBJECT TO APPROVAL BY STATUTORY AUTHORITIES AND ANY NECESSARY ALTERATIONS SHOULD BE MADE TO COMPLY. THIS DOCUMENT INCLUDING ELECTRONIC FORMAT, MUST NOT BE USED, REPRODUCED OR COPIED WHOLLY OR IN PART WITHOUT PRIOR PERMISSION OF DESIGNER ©

**NORTH**

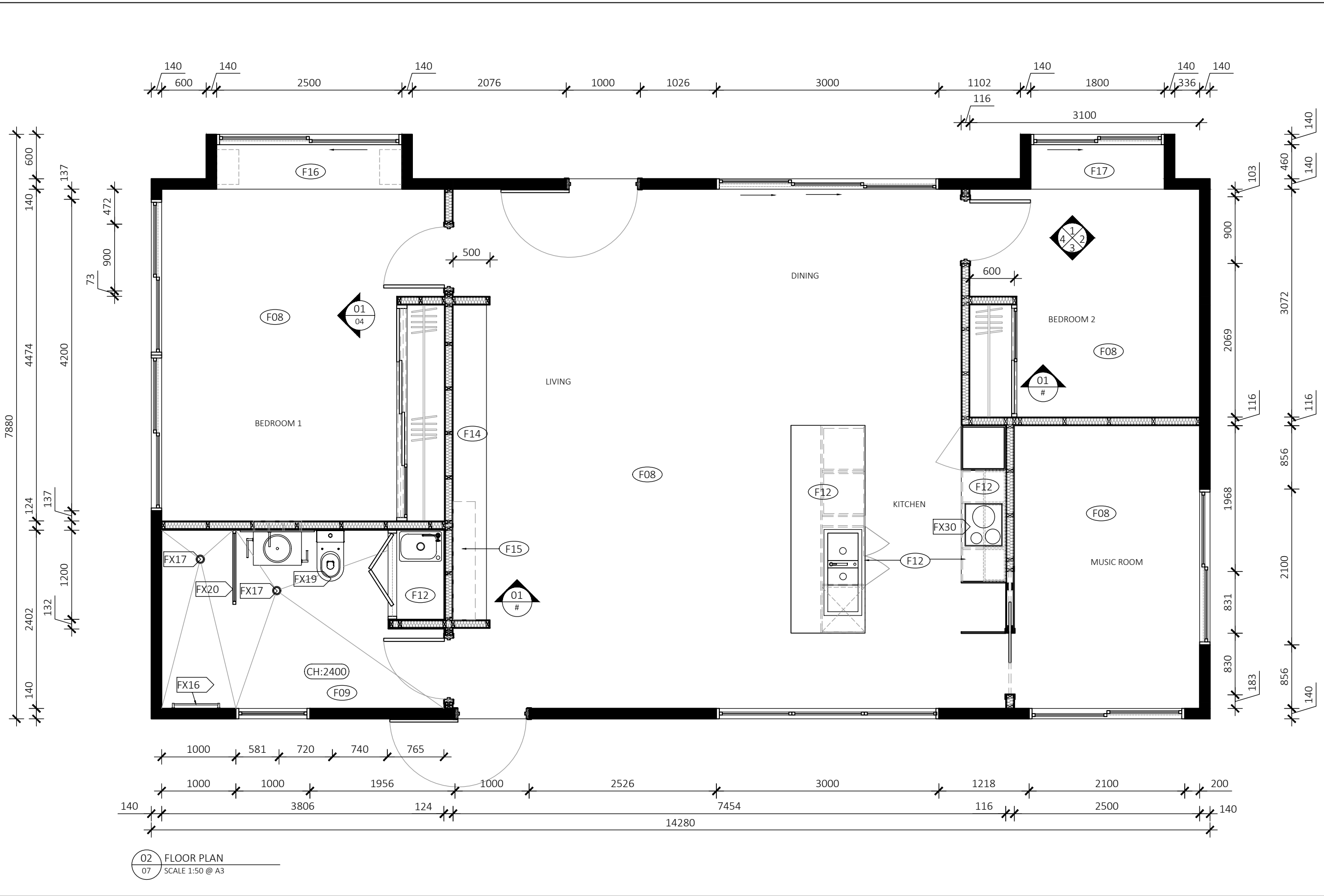
**PROJECT**  
PROJECT NAME:  
ADDRESS:  
  
PROJECT NUMBER  
####

**REVISION DETAILS**

REV	DATE	DESCRIPTION	INITIAL
A	08/05/2022	Furniture Plan	S.F.

**DRAWING DETAILS**  
DRAWING: FURNITURE PLAN  
SCALE: 1:50@A3  
DATE: 08/05/2022  
DRAWN BY: S.F.  
CHECKED BY: A.A.

REVISION:	SHEET:
A	01



### LEGEND

Hatches	
	Concrete
	Brickwork
	Blockwork
	Fibre Cement
	Plasterboard
	Earth
	MDF
	Plywood
	Dressed Timber
	Sawn Timber
	Carpet
	Insulation
	Glass
	Steel
	Stone
	Plastic
	Ceramic Tile
	Existing Structure

- ### NOTES
- W ## Window Number  
 D ## Door Number
- EQ01 - I FRN\_DNNG\_TBL
  - EQ02 - I FRN\_RLGD\_CH
  - EQ03 - I FRN\_SF
  - EQ04 - I FRN\_WLFRD\_CH
  - EQ05 - I FRN\_OTTOMAN
  - EQ06 - I FRN\_CT
  - EQ07 - I FRN\_PLNTR\_SML
  - EQ09 - I FRN\_RG
  - EQ10 - I FRN\_QB
  - EQ11 - I FRN\_BOST
  - EQ12 - I FRN\_DSK\_CH
  - EQ14 - I FRN\_BKWRD
  - EQ16 - I FRN\_SB
  - EQ17 - I FRN\_PIANO
  - EQ18 - I FRN\_EMS\_STRG
  - EQ19 - I FRN\_PFF\_CH
  - EQ20 - SV\_EL\_EQ\_TV
  - EQ21 - SV\_EL\_EQ\_FRDQ
  - EQ22 - SV\_EL\_EQ\_AP\_DW
  - EQ23 - SV\_EL\_EQ\_AP\_WM
  - EQ24 - SV\_EL\_EQ\_GRNT\_LMP
  - EQ26 - SV\_EL\_EQ\_CRSTY\_LMP
  - EQ27 - SV\_EL\_EQ\_FL\_LMP
- F03 - Interior Ceiling Finish
  - F04 - Bathroom Ceiling Finish
  - F05 - Interior Walls
  - F06 - Interior Trims & Doors
  - F08 - Interior Flooring
  - F09 - Bathroom Floor Tiles
  - F10 - Bathroom Wall Tiles
  - F12 - Kitchen & Laundry Benchtop
  - F14 - Living Entertainment Joinery
  - F15 - Floating Shelves
  - F16 - Bedroom 1 Desk
  - F17 - Bedroom 2 Desk
- FX01 - Skirting and Architraves Finish
  - FX03 - I FX\_DR\_HNDL
  - FX06 - I FX\_JRNY\_DR\_HNDL
  - FX08 - Bathroom Vanity
  - FX10 - SV\_PL\_FX\_LNDRY\_SNK
  - FX11 - I FX\_BTH\_SHVNG\_CBNT
  - FX12 - SV\_PL\_FX\_BTH\_SHWR
  - FX13 - SV\_PL\_FX\_LNDRY\_TPS
  - FX14 - I FX\_BTH\_TPS\_HLDR
  - FX15 - I FX\_BTH\_TWL\_HLDR
  - FX16 - I FX\_BTH\_TWL\_RL
  - FX17 - SV\_PL\_FX\_WST
  - FX19 - SV\_PL\_FX\_TLT
  - FX20 - I FX\_BTH\_SWR\_SCRN
  - FX24 - Strip Lighting
  - FX25 - SV\_EX\_FX\_TSTK
  - FX26 - SV\_EL\_FX\_JLLY\_PDNT\_DBL
  - FX27 - SV\_EL\_FX\_JLLY\_PDNT\_SNGL
  - FX28 - SV\_EL\_FX\_MIAMM\_PDNT
  - FX29 - SV\_EL\_FX\_FN
  - FX30 - SV\_EL\_FX\_CKTP
  - FX36 - SV\_PL\_FX\_BTH\_TPS

02 FLOOR PLAN  
07 SCALE 1:50 @ A3

DESIGNER DETAILS  
 NAME:  
 T: +614 0000 0000  
 E: email@address.com

NOTE  
 DO NOT SCALE THIS DRAWING. THE DRAWING SHOWS DESIGN INTENT ONLY. ALL DIMENSIONS TO BE CHECKED ON SITE PRIOR TO CONSTRUCTION OR PRODUCTION. CONSTRUCTION DETAILS TO BE CONFIRMED BY CONTRACTOR/MANUFACTURER. FIGURE DIMENSIONS ARE TO BE TAKEN IN PREFERENCE TO THE SCALE DRAWING; ALL DISCREPANCIES AND COMMISSIONS ON SITE MUST BE REPORTED TO DESIGNER FOR THEIR COMMENTS OR APPROVAL PRIOR TO COMMENCING WORK. ALL ELECTRICAL LIGHTING, HVAC AND PLUMBING ISSUES TO BE REFERRED TO ENGINEERS DRAWINGS PRIOR TO COMMENCEMENT OF WORKS. THE DESIGNS ARE SUBJECT TO APPROVAL BY STATUTORY AUTHORITIES AND ANY NECESSARY ALTERATIONS SHOULD BE MADE TO COMPLY. THIS DOCUMENT INCLUDING ELECTRONIC FORMAT, MUST NOT BE USED, REPRODUCED OR COPIED WHOLLY OR IN PART WITHOUT PRIOR PERMISSION OF DESIGNER ©

NORTH

PROJECT  
 PROJECT NAME:  
 ADDRESS:  
 PROJECT NUMBER  
 #####

REVISION DETAILS		
REV	DATE	DESCRIPTION
A	08/05/2022	Floor Plan

DRAWING DETAILS		
DRAWING: FLOOR PLAN		
SCALE: 1:50@A3	REVISION:	SHEET:
DATE: 08/05/2022		
DRAWN BY: S.F.		
CHECKED BY: A.A.		

A 02

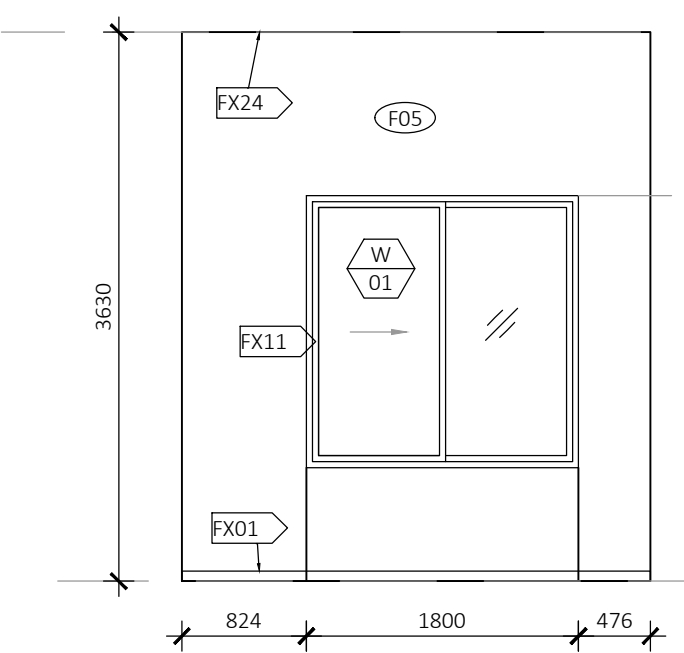
**LEGEND**

Hatches	
	Concrete
	Brickwork
	Blockwork
	Fibre Cement
	Plasterboard
	Earth
	MDF
	Plywood
	Dressed Timber
	Sawn Timber
	Carpet
	Insulation
	Glass
	Steel
	Stone
	Plastic
	Ceramic Tile
	Existing Structure

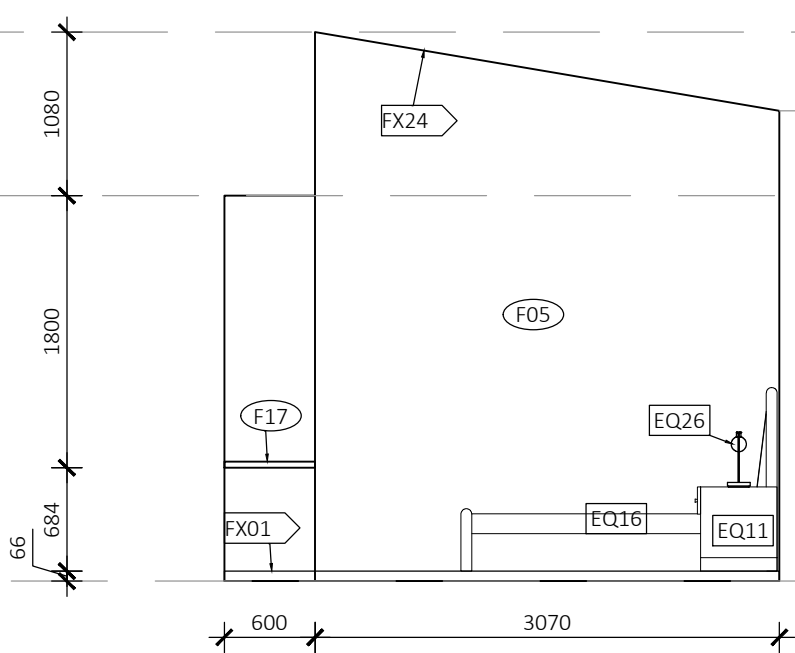
**NOTES**

- Window Number
- Door Number

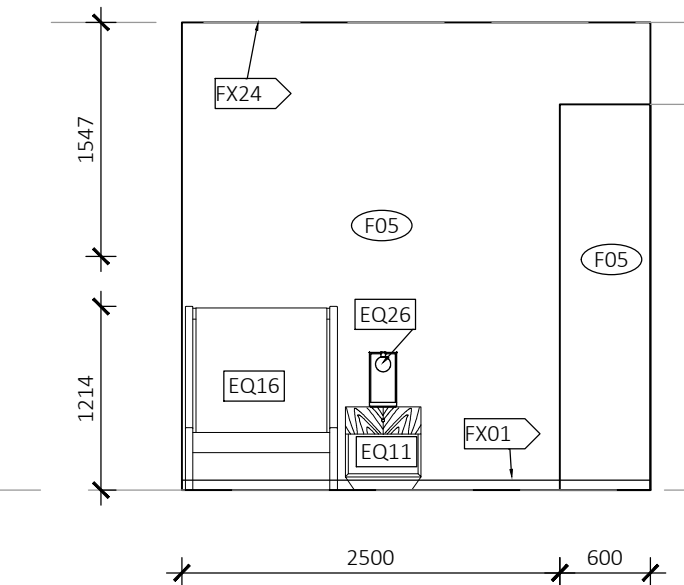
- EQ01 - I FRN\_DNNG\_TBL
- EQ02 - I FRN\_RLGD\_CH
- EQ03 - I FRN\_SF
- EQ04 - I FRN\_WLFRD\_CH
- EQ05 - I FRN\_OTTOMAN
- EQ06 - I FRN\_CT
- EQ07 - I FRN\_PLNTR\_SML
- EQ09 - I FRN\_RG
- EQ10 - I FRN\_QB
- EQ11 - I FRN\_BBST
- EQ12 - I FRN\_DSK\_CH
- EQ14 - I FRN\_BKWRD
- EQ16 - I FRN\_SB
- EQ17 - I FRN\_PIANO
- EQ18 - I FRN\_EMS\_STRG
- EQ19 - I FRN\_PFF\_CH
- EQ20 - SV\_EL\_EQ\_TV
- EQ21 - SV\_EL\_EQ\_FRDG
- EQ22 - SV\_EL\_EQ\_AP\_DW
- EQ23 - SV\_EL\_EQ\_AP\_WM
- EQ24 - SV\_EL\_EQ\_GRNT\_LMP
- EQ26 - SV\_EL\_EQ\_CRSTY\_LMP
- EQ27 - SV\_EL\_EQ\_FL\_LMP
- F03 - Interior Ceiling Finish
- F04 - Bathroom Ceiling Finish
- F05 - Interior Walls
- F06 - Interior Trims & Doors
- F08 - Interior Flooring
- F09 - Bathroom Floor Tiles
- F10 - Bathroom Wall Tiles
- F12 - Kitchen & Laundry Benchtop
- F14 - Living Entertainment Joinery
- F15 - Floating Shelves
- F16 - Bedroom 1 Desk
- F17 - Bedroom 2 Desk
- FX01 - Skirting and Architraves Finish
- FX03 - I\_FX\_DR\_HNDL
- FX06 - I\_FX\_JRNY\_DR\_HNDL
- FX08 - Bathroom Vanity
- FX10 - SV\_PL\_FX\_LNDRY\_SNK
- FX11 - I\_FX\_BTH\_SHVNG\_CBNT
- FX12 - SV\_PL\_FX\_BTH\_SHWR
- FX13 - SV\_PL\_FX\_LNDRY\_TPS
- FX14 - I\_FX\_BTH\_TPS\_HLDR
- FX15 - I\_FX\_BTH\_TWVL\_HLDR
- FX16 - I\_FX\_BTH\_TWVL\_RL
- FX17 - SV\_PL\_FX\_WST
- FX19 - SV\_PL\_FX\_TLT
- FX20 - I\_FX\_BTH\_SWR\_SCRN
- FX24 - Strip Lighting
- FX25 - SV\_EX\_FX\_TSTK
- FX26 - SV\_EL\_FX\_JLLY\_PDNT\_DBL
- FX27 - SV\_EL\_FX\_JLLY\_PDNT\_SNGL
- FX28 - SV\_EL\_FX\_MIAML\_PDNT
- FX29 - SV\_EL\_FX\_FN
- FX30 - SV\_EL\_FX\_CKTP
- FX36 - SV\_PL\_FX\_BTH\_TPS



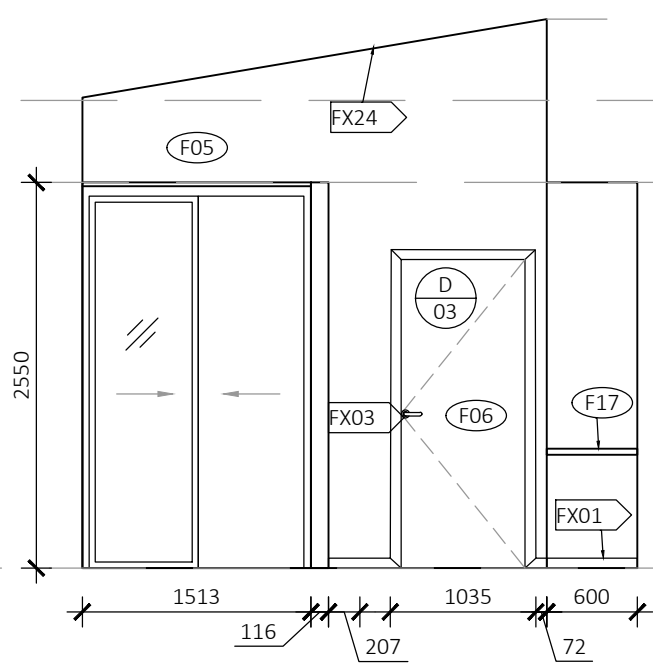
01 ELEVATION 1  
03 SCALE 1:50 @ A3



02 ELEVATION 2  
03 SCALE 1:50 @ A3



03 ELEVATION 3  
03 SCALE 1:50 @ A3



04 ELEVATION 4  
03 SCALE 1:50 @ A3

**DESIGNER DETAILS**  
NAME:  
T: +614 0000 0000  
E: email@address.com

**NOTE**  
DO NOT SCALE THIS DRAWING. THE DRAWING SHOWS DESIGN INTENT ONLY. ALL DIMENSIONS TO BE CHECKED ON SITE PRIOR TO CONSTRUCTION OR PRODUCTION. CONSTRUCTION DETAILS TO BE CONFIRMED BY CONTRACTOR/MANUFACTURER. FIGURE DIMENSIONS ARE TO BE TAKEN IN PREFERENCE TO THE SCALE DRAWING; ALL DISCREPANCIES AND COMMISSIONS ON SITE MUST BE REPORTED TO DESIGNER FOR THEIR COMMENTS OR APPROVAL PRIOR TO COMMENCING WORK. ALL ELECTRICAL LIGHTING, HVAC AND PLUMBING ISSUES TO BE REFERRED TO ENGINEERS DRAWINGS PRIOR TO COMMENCEMENT OF WORKS. THE DESIGNS ARE SUBJECT TO APPROVAL BY STATUTORY AUTHORITIES AND ANY NECESSARY ALTERATIONS SHOULD BE MADE TO COMPLY. THIS DOCUMENT INCLUDING ELECTRONIC FORMAT, MUST NOT BE USED, REPRODUCED OR COPIED WHOLLY OR IN PART WITHOUT PRIOR PERMISSION OF DESIGNER ©

**NORTH**

**PROJECT**  
PROJECT NAME:  
ADDRESS:  
  
PROJECT NUMBER  
####

**REVISION DETAILS**

REV	DATE	DESCRIPTION	INITIAL
A	08/05/2022	Elevations 1-4	S.F.

**DRAWING DETAILS**

DRAWING: ELEVATIONS 1-4		
SCALE: 1:50@A3	REVISION:	SHEET:
DATE: 08/05/2022		
DRAWN BY: S.F.		
CHECKED BY: A.A.		

**A 03**

**LEGEND**

Hatches	
	Concrete
	Brickwork
	Blockwork
	Fibre Cement
	Plasterboard
	Earth
	MDF
	Plywood
	Dressed Timber
	Sawn Timber
	Carpet
	Insulation
	Glass
	Steel
	Stone
	Plastic
	Ceramic Tile
	Existing Structure

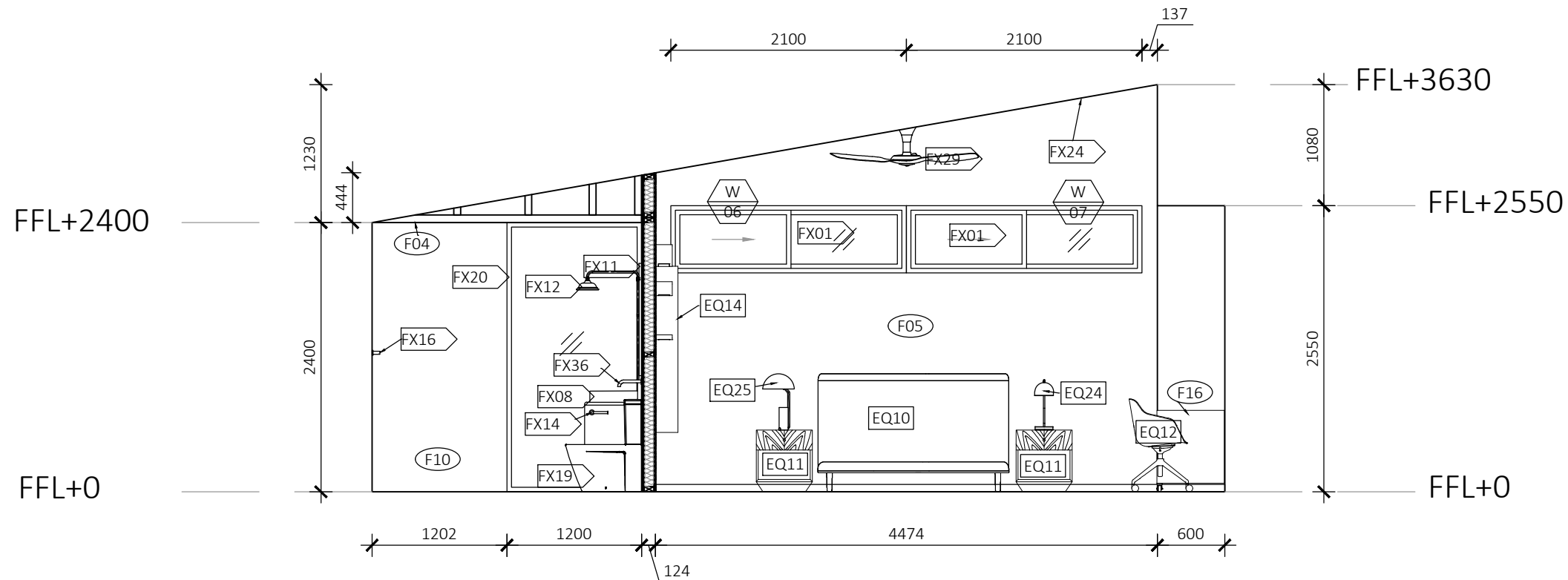
**NOTES**

- Window Number
- Door Number

- EQ01 - I FRN\_DNNG\_TBL
- EQ02 - I FRN\_RLGD\_CH
- EQ03 - I FRN\_SF
- EQ04 - I FRN\_WLFRD\_CH
- EQ05 - I FRN\_OTTOMAN
- EQ06 - I FRN\_CT
- EQ07 - I FRN\_PLNTR\_SML
- EQ09 - I FRN\_RG
- EQ10 - I FRN\_QB
- EQ11 - I FRN\_BDST
- EQ12 - I FRN\_DSK\_CH
- EQ14 - I FRN\_BKWRD
- EQ16 - I FRN\_SB
- EQ17 - I FRN\_PIANO
- EQ18 - I FRN\_EMS\_STRG
- EQ19 - I FRN\_PFF\_CH
- EQ20 - SV\_EL\_EQ\_TV
- EQ21 - SV\_EL\_EQ\_FRDG
- EQ22 - SV\_EL\_EQ\_AP\_DW
- EQ23 - SV\_EL\_EQ\_AP\_WM
- EQ24 - SV\_EL\_EQ\_GRNT\_LMP
- EQ26 - SV\_EL\_EQ\_CRSTY\_LMP
- EQ27 - SV\_EL\_EQ\_FL\_LMP

- F03 - Interior Ceiling Finish
- F04 - Bathroom Ceiling Finish
- F05 - Interior Walls
- F06 - Interior Trims & Doors
- F08 - Interior Flooring
- F09 - Bathroom Floor Tiles
- F10 - Bathroom Wall Tiles
- F12 - Kitchen & Laundry Benchtop
- F14 - Living Entertainment Joinery
- F15 - Floating Shelves
- F16 - Bedroom 1 Desk
- F17 - Bedroom 2 Desk

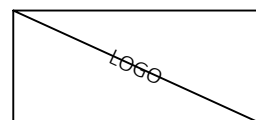
- FX01 - Skirting and Architraves Finish
- FX03 - I FX\_DR\_HNDL
- FX06 - I FX\_JRNY\_DR\_HNDL
- FX08 - Bathroom Vanity
- FX10 - SV\_PL\_FX\_LNDRY\_SNK
- FX11 - I FX\_BTH\_SHVNG\_CBNT
- FX12 - SV\_PL\_FX\_BTH\_SHWR
- FX13 - SV\_PL\_FX\_LNDRY\_TPS
- FX14 - I FX\_BTH\_TPS\_HLDR
- FX15 - I FX\_BTH\_TWL\_HLDR
- FX16 - I FX\_BTH\_TWL\_RL
- FX17 - SV\_PL\_FX\_WST
- FX19 - SV\_PL\_FX\_TLT
- FX20 - I FX\_BTH\_SWR\_SCRN
- FX24 - Strip Lighting
- FX25 - SV\_EX\_FX\_TSTK
- FX26 - SV\_EL\_FX\_JLLY\_PDNT\_DBL
- FX27 - SV\_EL\_FX\_JLLY\_PDNT\_SNGL
- FX28 - SV\_EL\_FX\_MIAML\_PDNT
- FX29 - SV\_EL\_FX\_FN
- FX30 - SV\_EL\_FX\_CKTP
- FX36 - SV\_PL\_FX\_BTH\_TPS



04 SECTIONAL ELEVATION  
07 SCALE 1:50 @ A3

**DESIGNER DETAILS**

NAME:  
T: +614 0000 0000  
E: email@address.com



**NOTE**

DO NOT SCALE THIS DRAWING. THE DRAWING SHOWS DESIGN INTENT ONLY. ALL DIMENSIONS TO BE CHECKED ON SITE PRIOR TO CONSTRUCTION OR PRODUCTION. CONSTRUCTION DETAILS TO BE CONFIRMED BY CONTRACTOR/MANUFACTURER. FIGURE DIMENSIONS ARE TO BE TAKEN IN PREFERENCE TO THE SCALE DRAWING; ALL DISCREPANCIES AND COMMISSIONS ON SITE MUST BE REPORTED TO DESIGNER FOR THEIR COMMENTS OR APPROVAL PRIOR TO COMMENCING WORK. ALL ELECTRICAL LIGHTING, HVAC AND PLUMBING ISSUES TO BE REFERRED TO ENGINEERS DRAWINGS PRIOR TO COMMENCEMENT OF WORKS. THE DESIGNS ARE SUBJECT TO APPROVAL BY STATUTORY AUTHORITIES AND ANY NECESSARY ALTERATIONS SHOULD BE MADE TO COMPLY. THIS DOCUMENT INCLUDING ELECTRONIC FORMAT, MUST NOT BE USED, REPRODUCED OR COPIED WHOLLY OR IN PART WITHOUT PRIOR PERMISSION OF DESIGNER ©

**NORTH**

**PROJECT**

PROJECT NAME:  
ADDRESS:

PROJECT NUMBER  
####

**REVISION DETAILS**

REV	DATE	DESCRIPTION	INITIAL
A	08/05/2022	Sectional Elevation	S.F.

**DRAWING DETAILS**

DRAWING: SECTIONAL ELEVATION		
SCALE: 1:50@A3	REVISION:	SHEET:
DATE: 08/05/2022	A	04
DRAWN BY: S.F.		
CHECKED BY: A.A.		

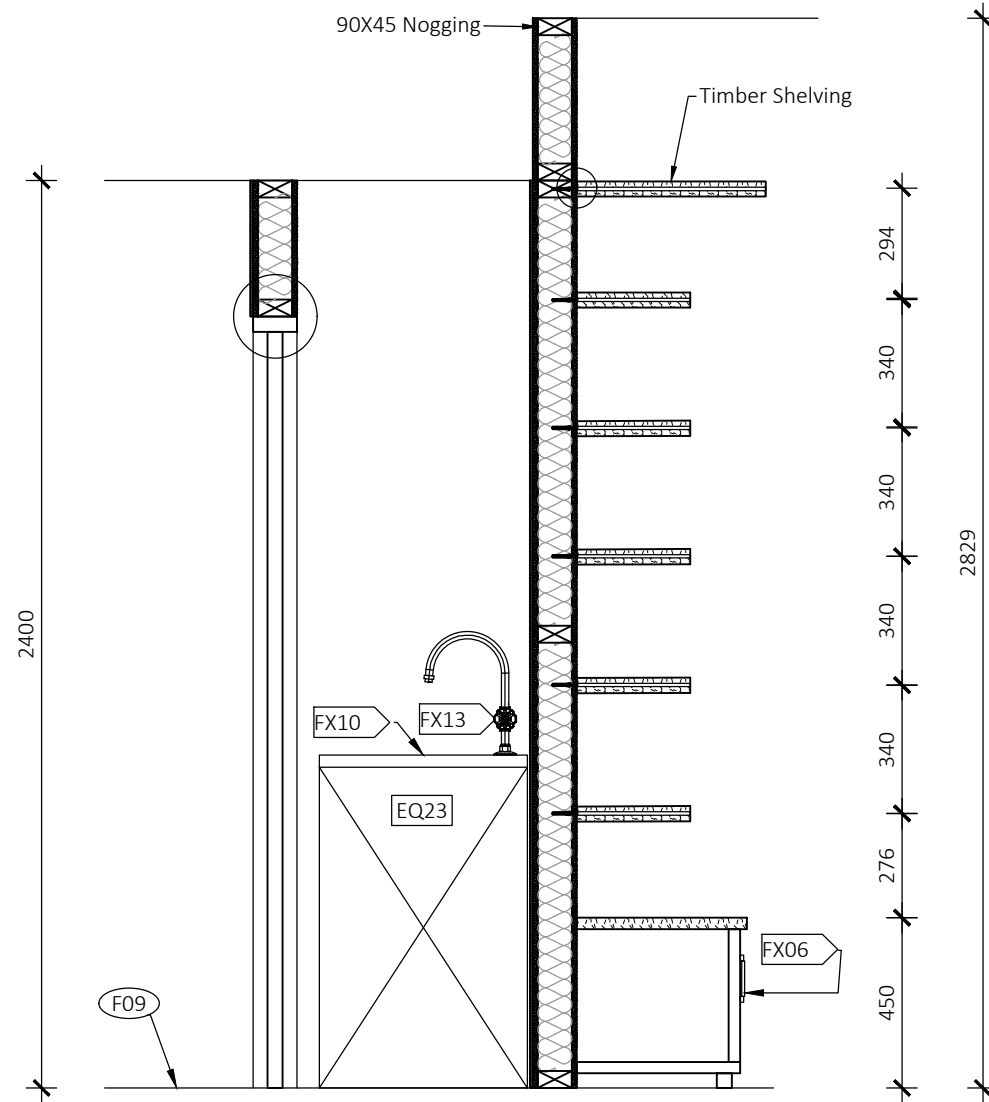
**LEGEND**

Hatches	
	Concrete
	Brickwork
	Blockwork
	Fibre Cement
	Plasterboard
	Earth
	MDF
	Plywood
	Dressed Timber
	Sawn Timber
	Carpet
	Insulation
	Glass
	Steel
	Stone
	Plastic
	Ceramic Tile
	Existing Structure

**NOTES**

- Window Number
- Door Number

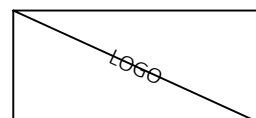
- EQ01 - I FRN DNNG\_TBL
- EQ02 - I FRN\_RLGD\_CH
- EQ03 - I FRN\_SF
- EQ04 - I FRN\_WLFRD\_CH
- EQ05 - I FRN\_OTTOMAN
- EQ06 - I FRN\_CT
- EQ07 - I FRN\_PLNTR\_SML
- EQ09 - I FRN\_RG
- EQ10 - I FRN\_QB
- EQ11 - I FRN\_BDST
- EQ12 - I FRN\_DSK\_CH
- EQ14 - I FRN\_BKWRD
- EQ16 - I FRN\_SB
- EQ17 - I FRN\_PIANO
- EQ18 - I FRN\_EMS\_STRG
- EQ19 - I FRN\_PFF\_CH
- EQ20 - SV\_EL\_EQ\_TV
- EQ21 - SV\_EL\_EQ\_FRDG
- EQ22 - SV\_EL\_EQ\_AP\_DW
- EQ23 - SV\_EL\_EQ\_AP\_WM
- EQ24 - SV\_EL\_EQ\_GRNT\_LMP
- EQ26 - SV\_EL\_EQ\_CRSTY\_LMP
- EQ27 - SV\_EL\_EQ\_FL\_LMP
- F03 - Interior Ceiling Finish
- F04 - Bathroom Ceiling Finish
- F05 - Interior Walls
- F06 - Interior Trims & Doors
- F08 - Interior Flooring
- F09 - Bathroom Floor Tiles
- F10 - Bathroom Wall Tiles
- F12 - Kitchen & Laundry Benchtop
- F14 - Living Entertainment Joinery
- F15 - Floating Shelves
- F16 - Bedroom 1 Desk
- F17 - Bedroom 2 Desk
- FX01 - Skirting and Architraves Finish
- FX03 - I FX\_DR\_HNDL
- FX06 - I FX\_JRNY\_DR\_HNDL
- FX08 - Bathroom Vanity
- FX10 - SV\_PL\_FX\_LNDRY\_SNK
- FX11 - I FX\_BTH\_SHVNG\_CBNT
- FX12 - SV\_PL\_FX\_BTH\_SHWR
- FX13 - SV\_PL\_FX\_LNDRY\_TPS
- FX14 - I FX\_BTH\_TPS\_HLDR
- FX15 - I FX\_BTH\_TWL\_HLDR
- FX16 - I FX\_BTH\_TWL\_RL
- FX17 - SV\_PL\_FX\_WST
- FX19 - SV\_PL\_FX\_TLT
- FX20 - I FX\_BTH\_SWR\_SCRN
- FX24 - Strip Lighting
- FX25 - SV\_EX\_FX\_TSTK
- FX26 - SV\_EL\_FX\_JLLY\_PDNT\_DBL
- FX27 - SV\_EL\_FX\_JLLY\_PDNT\_SNGL
- FX28 - SV\_EL\_FX\_MIAMLI\_PDNT
- FX29 - SV\_EL\_FX\_FN
- FX30 - SV\_EL\_FX\_CKTP
- FX36 - SV\_PL\_FX\_BTH\_TPS



05 Section 1  
07 SCALE 1:20

**DESIGNER DETAILS**

NAME:  
T: +614 0000 0000  
E: email@address.com



**NOTE**

DO NOT SCALE THIS DRAWING. THE DRAWING SHOWS DESIGN INTENT ONLY. ALL DIMENSIONS TO BE CHECKED ON SITE PRIOR TO CONSTRUCTION OR PRODUCTION. CONSTRUCTION DETAILS TO BE CONFIRMED BY CONTRACTOR/MANUFACTURER. FIGURE DIMENSIONS ARE TO BE TAKEN IN PREFERENCE TO THE SCALE DRAWING; ALL DISCREPANCIES AND COMMISSIONS ON SITE MUST BE REPORTED TO DESIGNER FOR THEIR COMMENTS OR APPROVAL PRIOR TO COMMENCING WORK. ALL ELECTRICAL LIGHTING, HVAC AND PLUMBING ISSUES TO BE REFERRED TO ENGINEERS DRAWINGS PRIOR TO COMMENCEMENT OF WORKS. THE DESIGNS ARE SUBJECT TO APPROVAL BY STATUTORY AUTHORITIES AND ANY NECESSARY ALTERATIONS SHOULD BE MADE TO COMPLY. THIS DOCUMENT INCLUDING ELECTRONIC FORMAT, MUST NOT BE USED, REPRODUCED OR COPIED WHOLLY OR IN PART WITHOUT PRIOR PERMISSION OF DESIGNER ©

**NORTH**



**PROJECT**

PROJECT NAME:  
ADDRESS:

PROJECT NUMBER  
####

**REVISION DETAILS**

REV	DATE	DESCRIPTION	INITIAL
A	08/05/2022	Section 1	S.F.

**DRAWING DETAILS**

DRAWING: SECTION 1		
SCALE: 1:20@A3	REVISION: A	SHEET: 05
DATE: 08/05/2022		
DRAWN BY: S.F.		
CHECKED BY: A.A.		

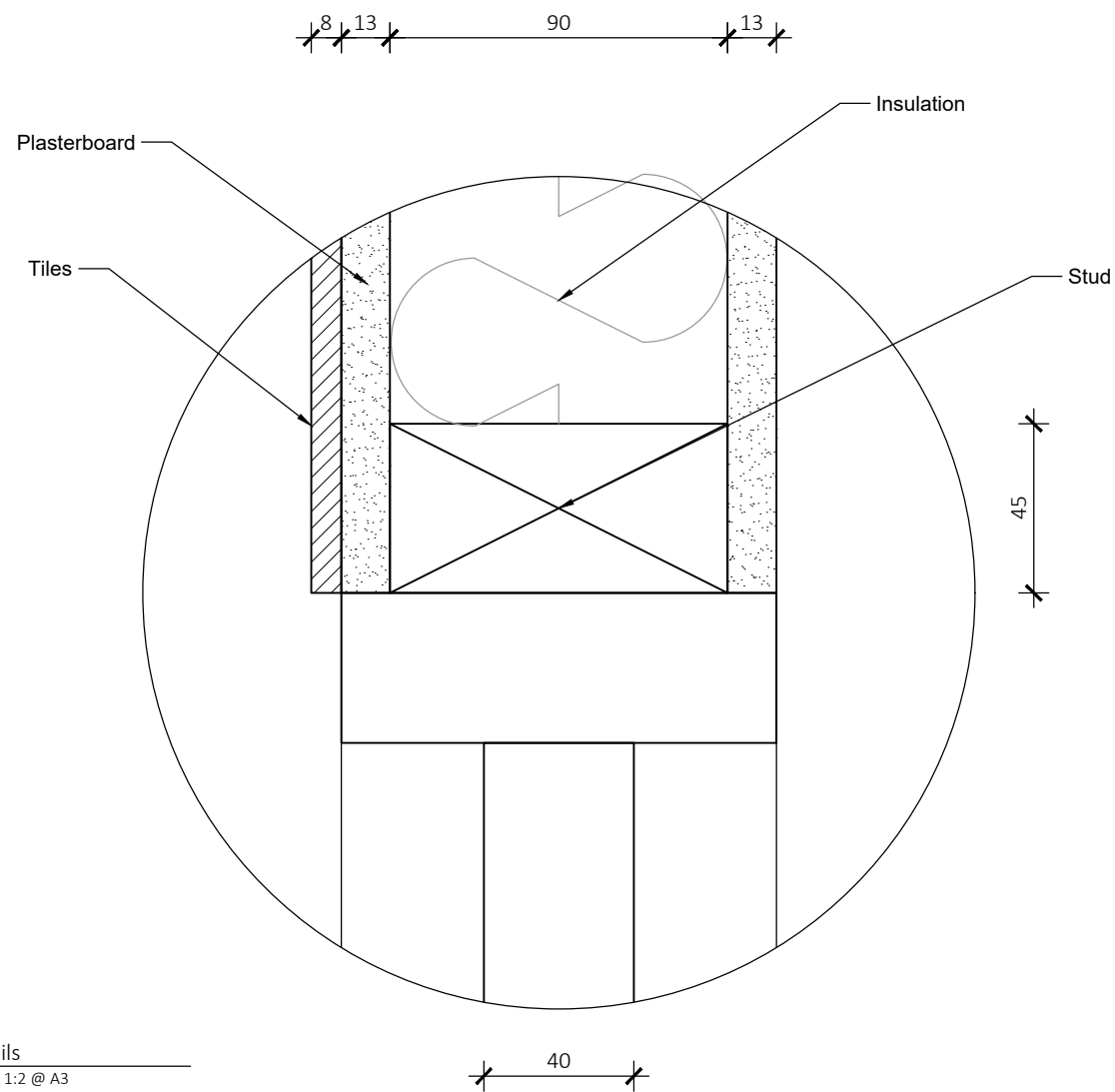
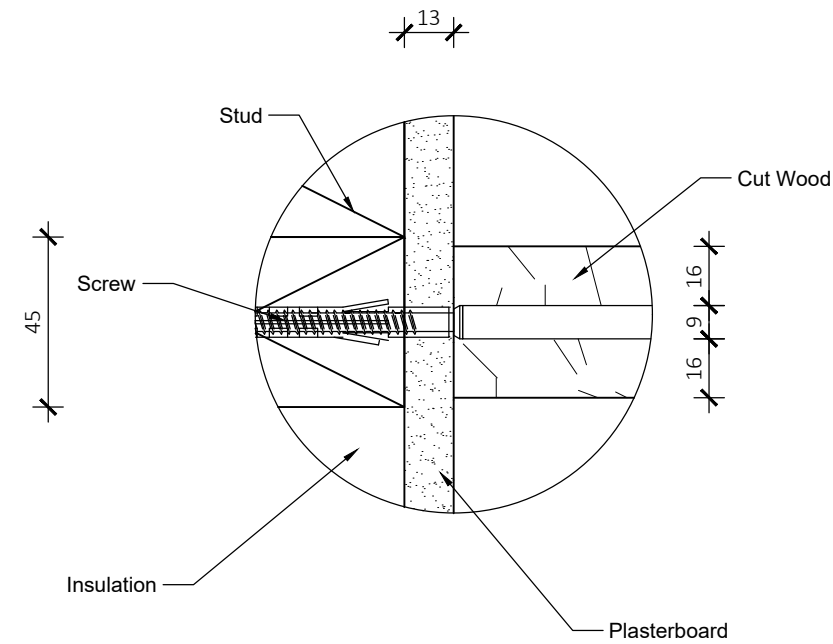
**LEGEND**

Hatches	
	Concrete
	Brickwork
	Blockwork
	Fibre Cement
	Plasterboard
	Earth
	MDF
	Plywood
	Dressed Timber
	Sawn Timber
	Carpet
	Insulation
	Glass
	Steel
	Stone
	Plastic
	Ceramic Tile
	Existing Structure

**NOTES**

- Window Number
- Door Number

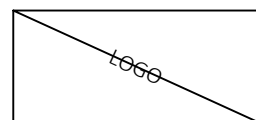
- EQ01 - I\_FRN\_DNNG\_TBL
- EQ02 - I\_FRN\_RLGD\_CH
- EQ03 - I\_FRN\_SF
- EQ04 - I\_FRN\_WLFRD\_CH
- EQ05 - I\_FRN\_OTTOMAN
- EQ06 - I\_FRN\_CT
- EQ07 - I\_FRN\_PLNTR\_SML
- EQ09 - I\_FRN\_RG
- EQ10 - I\_FRN\_QB
- EQ11 - I\_FRN\_BDST
- EQ12 - I\_FRN\_DSK\_CH
- EQ14 - I\_FRN\_BKWRD
- EQ16 - I\_FRN\_SB
- EQ17 - I\_FRN\_PIANO
- EQ18 - I\_FRN\_EMS\_STRG
- EQ19 - I\_FRN\_PFF\_CH
- EQ20 - SV\_EL\_EQ\_TV
- EQ21 - SV\_EL\_EQ\_FRDG
- EQ22 - SV\_EL\_EQ\_AP\_DW
- EQ23 - SV\_EL\_EQ\_AP\_WM
- EQ24 - SV\_EL\_EQ\_GRNT\_LMP
- EQ26 - SV\_EL\_EQ\_CRSTY\_LMP
- EQ27 - SV\_EL\_EQ\_FL\_LMP
- F03 - Interior Ceiling Finish
- F04 - Bathroom Ceiling Finish
- F05 - Interior Walls
- F06 - Interior Trims & Doors
- F08 - Interior Flooring
- F09 - Bathroom Floor Tiles
- F10 - Bathroom Wall Tiles
- F12 - Kitchen & Laundry Benchtop
- F14 - Living Entertainment Joinery
- F15 - Floating Shelves
- F16 - Bedroom 1 Desk
- F17 - Bedroom 2 Desk
- FX01 - Skirting and Architraves Finish
- FX03 - I\_FX\_DR\_HNDL
- FX06 - I\_FX\_JRNY\_DR\_HNDL
- FX08 - Bathroom Vanity
- FX10 - SV\_PL\_FX\_LNDRY\_SNK
- FX11 - I\_FX\_BTH\_SHVNG\_CBNT
- FX12 - SV\_PL\_FX\_BTH\_SHWR
- FX13 - SV\_PL\_FX\_LNDRY\_TPS
- FX14 - I\_FX\_BTH\_TPS\_HLDR
- FX15 - I\_FX\_BTH\_TWL\_HLDR
- FX16 - I\_FX\_BTH\_TWL\_RL
- FX17 - SV\_PL\_FX\_WST
- FX19 - SV\_PL\_FX\_TLT
- FX20 - I\_FX\_BTH\_SWR\_SCRN
- FX24 - Strip Lighting
- FX25 - SV\_EX\_FX\_TSTK
- FX26 - SV\_EL\_FX\_JLLY\_PDNT\_DBL
- FX27 - SV\_EL\_FX\_JLLY\_PDNT\_SNGL
- FX28 - SV\_EL\_FX\_MIAMM\_PDNT
- FX29 - SV\_EL\_FX\_FN
- FX30 - SV\_EL\_FX\_CKTP
- FX36 - SV\_PL\_FX\_BTH\_TPS



06 Details  
07 SCALE 1:2 @ A3

**DESIGNER DETAILS**

NAME:  
T: +614 0000 0000  
E: email@address.com



**NOTE**

DO NOT SCALE THIS DRAWING. THE DRAWING SHOWS DESIGN INTENT ONLY. ALL DIMENSIONS TO BE CHECKED ON SITE PRIOR TO CONSTRUCTION OR PRODUCTION. CONSTRUCTION DETAILS TO BE CONFIRMED BY CONTRACTOR/MANUFACTURER. FIGURE DIMENSIONS ARE TO BE TAKEN IN PREFERENCE TO THE SCALE DRAWING; ALL DISCREPANCIES AND COMMISSIONS ON SITE MUST BE REPORTED TO DESIGNER FOR THEIR COMMENTS OR APPROVAL PRIOR TO COMMENCING WORK. ALL ELECTRICAL LIGHTING, HVAC AND PLUMBING ISSUES TO BE REFERRED TO ENGINEERS DRAWINGS PRIOR TO COMMENCEMENT OF WORKS. THE DESIGNS ARE SUBJECT TO APPROVAL BY STATUTORY AUTHORITIES AND ANY NECESSARY ALTERATIONS SHOULD BE MADE TO COMPLY. THIS DOCUMENT INCLUDING ELECTRONIC FORMAT, MUST NOT BE USED, REPRODUCED OR COPIED WHOLLY OR IN PART WITHOUT PRIOR PERMISSION OF DESIGNER ©

**NORTH**



**PROJECT**

PROJECT NAME:  
ADDRESS:

PROJECT NUMBER  
####

**REVISION DETAILS**

REV	DATE	DESCRIPTION	INITIAL
A	08/05/2022	Details	S.F.

**DRAWING DETAILS**

DRAWING: DETAILS

SCALE: 1:2@A3

DATE: 08/05/2022

DRAWN BY: S.F.

CHECKED BY: A.A.

REVISION:

A

SHEET:

06

**LEGEND**

Hatches	
	Concrete
	Brickwork
	Blockwork
	Fibre Cement
	Plasterboard
	Earth
	MDF
	Plywood
	Dressed Timber
	Sawn Timber
	Carpet
	Insulation
	Glass
	Steel
	Stone
	Plastic
	Ceramic Tile
	Existing Structure

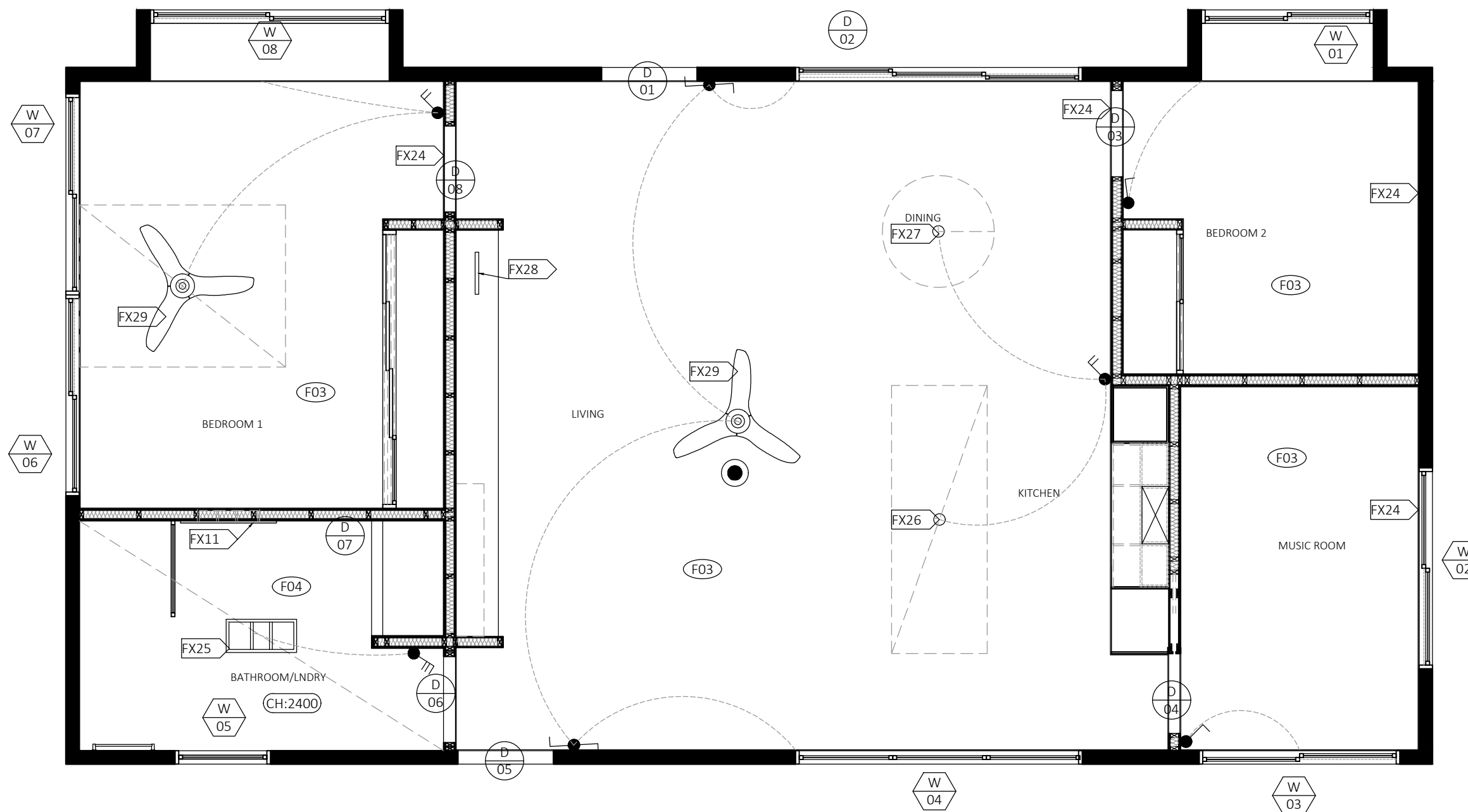
**NOTES**

- Window Number
- Door Number

- EQ01 - I\_FRN\_DNNG\_TBL
- EQ02 - I\_FRN\_RLGD\_CH
- EQ03 - I\_FRN\_SF
- EQ04 - I\_FRN\_WLFRD\_CH
- EQ05 - I\_FRN\_OTTOMAN
- EQ06 - I\_FRN\_CT
- EQ07 - I\_FRN\_PLNTR\_SML
- EQ09 - I\_FRN\_RG
- EQ10 - I\_FRN\_QB
- EQ11 - I\_FRN\_BDST
- EQ12 - I\_FRN\_DSK\_CH
- EQ14 - I\_FRN\_BKWRD
- EQ16 - I\_FRN\_SB
- EQ17 - I\_FRN\_PIANO
- EQ18 - I\_FRN\_EMS\_STRG
- EQ19 - I\_FRN\_PFF\_CH
- EQ20 - SV\_EL\_EQ\_TV
- EQ21 - SV\_EL\_FX\_FRDG
- EQ22 - SV\_EL\_EQ\_AP\_DW
- EQ23 - SV\_EL\_EQ\_AP\_WM
- EQ24 - SV\_EL\_EQ\_GRNT\_LMP
- EQ26 - SV\_EL\_EQ\_CRSTY\_LMP
- EQ27 - SV\_EL\_EQ\_FL\_LMP

- F03 - Interior Ceiling Finish
- F04 - Bathroom Ceiling Finish
- F05 - Interior Walls
- F06 - Interior Trims & Doors
- F08 - Interior Flooring
- F09 - Bathroom Floor Tiles
- F10 - Bathroom Wall Tiles
- F12 - Kitchen & Laundry Benchtop
- F14 - Living Entertainment Joinery
- F15 - Floating Shelves
- F16 - Bedroom 1 Desk
- F17 - Bedroom 2 Desk

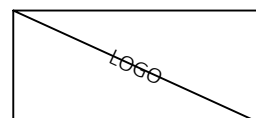
- FX01 - Skirting and Architraves Finish
- FX03 - I\_FX\_DR\_HNDL
- FX06 - I\_FX\_JRNY\_DR\_HNDL
- FX08 - Bathroom Vanity
- FX10 - SV\_PL\_FX\_LNDRY\_SNK
- FX11 - I\_FX\_BTH\_SHVNG\_CBNT
- FX12 - SV\_PL\_FX\_BTH\_SHWR
- FX13 - SV\_PL\_FX\_LNDRY\_TPS
- FX14 - I\_FX\_BTH\_TPS\_HLDR
- FX15 - I\_FX\_BTH\_TW\_L\_HLDR
- FX16 - I\_FX\_BTH\_TW\_L\_RL
- FX17 - SV\_PL\_FX\_WST
- FX19 - SV\_PL\_FX\_TLT
- FX20 - I\_FX\_BTH\_SWR\_SCRN
- FX24 - Strip Lighting
- FX25 - SV\_EX\_FX\_TSTK
- FX26 - SV\_EL\_FX\_JLLY\_PDNT\_DBL
- FX27 - SV\_EL\_FX\_JLLY\_PDNT\_SNGL
- FX28 - SV\_EL\_FX\_MIAML\_PDNT
- FX29 - SV\_EL\_FX\_FN
- FX30 - SV\_EL\_FX\_CKTP
- FX36 - SV\_PL\_FX\_BTH\_TPS



**07 REFLECTED CEILING PLAN**  
SCALE 1:50 @ A3

**DESIGNER DETAILS**

NAME:  
T: +614 0000 0000  
E: email@address.com



**NOTE**

DO NOT SCALE THIS DRAWING. THE DRAWING SHOWS DESIGN INTENT ONLY. ALL DIMENSIONS TO BE CHECKED ON SITE PRIOR TO CONSTRUCTION OR PRODUCTION. CONSTRUCTION DETAILS TO BE CONFIRMED BY CONTRACTOR/MANUFACTURER. FIGURE DIMENSIONS ARE TO BE TAKEN IN PREFERENCE TO THE SCALE DRAWING; ALL DISCREPANCIES AND COMMISSIONS ON SITE MUST BE REPORTED TO DESIGNER FOR THEIR COMMENTS OR APPROVAL PRIOR TO COMMENCING WORK. ALL ELECTRICAL LIGHTING, HVAC AND PLUMBING ISSUES TO BE REFERRED TO ENGINEERS DRAWINGS PRIOR TO COMMENCEMENT OF WORKS. THE DESIGNS ARE SUBJECT TO APPROVAL BY STATUTORY AUTHORITIES AND ANY NECESSARY ALTERATIONS SHOULD BE MADE TO COMPLY. THIS DOCUMENT INCLUDING ELECTRONIC FORMAT, MUST NOT BE USED, REPRODUCED OR COPIED WHOLLY OR IN PART WITHOUT PRIOR PERMISSION OF DESIGNER ©

**NORTH**



**PROJECT**

PROJECT NAME:  
ADDRESS:

PROJECT NUMBER  
####

**REVISION DETAILS**

REV	DATE	DESCRIPTION	INITIAL
A	08/05/2022	Reflected Ceiling Plan	S.F.

**DRAWING DETAILS**

DRAWING: REFLECTED CEILING PLAN

SCALE: 1:50@A3	REVISION: A	SHEET: 07
DATE: 08/05/2022		
DRAWN BY: S.F.		
CHECKED BY: A.A.		