

# IGA + Liquor

## 219 High St, Ashburton, VIC 3147.

# Point of Sales Area & Display Wall

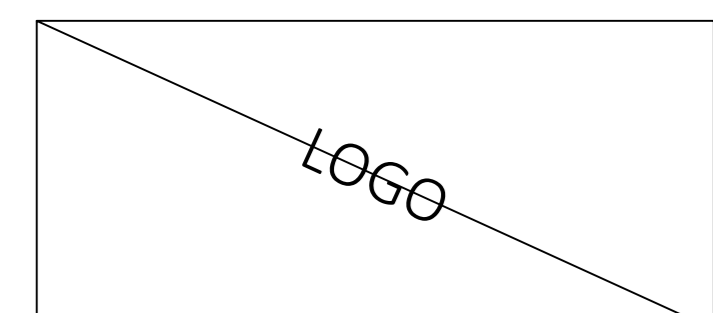
### LEGEND

### NOTES

Door #1 - Cupboard Door

#### DESIGNER DETAILS

NAME:  
T: +614 0000 0000  
E: email@address.com



#### NOTE

DO NOT SCALE THIS DRAWING. THE DRAWING SHOWS DESIGN INTENT ONLY. ALL DIMENSIONS TO BE CHECKED ON SITE PRIOR TO CONSTRUCTION OR PRODUCTION. CONSTRUCTION DETAILS TO BE CONFIRMED BY CONTRACTOR/MANUFACTURER. FIGURE DIMENSIONS ARE TO BE TAKEN IN PREFERENCE TO THE SCALE DRAWING. ALL DISCREPANCIES AND COMMISSIONS ON SITE MUST BE REPORTED TO DESIGNER FOR THEIR COMMENTS OR APPROVAL PRIOR TO COMMENCING WORK. ALL ELECTRICAL LIGHTING, HVAC AND PLUMBING ISSUES TO BE REFERRED TO ENGINEERS DRAWINGS PRIOR TO COMMENCEMENT OF WORKS. THE DESIGNS ARE SUBJECT TO APPROVAL BY STATUTORY AUTHORITIES AND ANY NECESSARY ALTERATIONS SHOULD BE MADE TO COMPLY. THIS DOCUMENT INCLUDING ELECTRONIC FORMAT, MUST NOT BE USED, REPRODUCED OR COPIED WHOLLY OR IN PART WITHOUT PRIOR PERMISSION OF DESIGNER ©

#### NORTH

#### PROJECT

PROJECT NAME: IGA + Liquor  
ADDRESS: Ashburton

#### PROJECT NUMBER

####

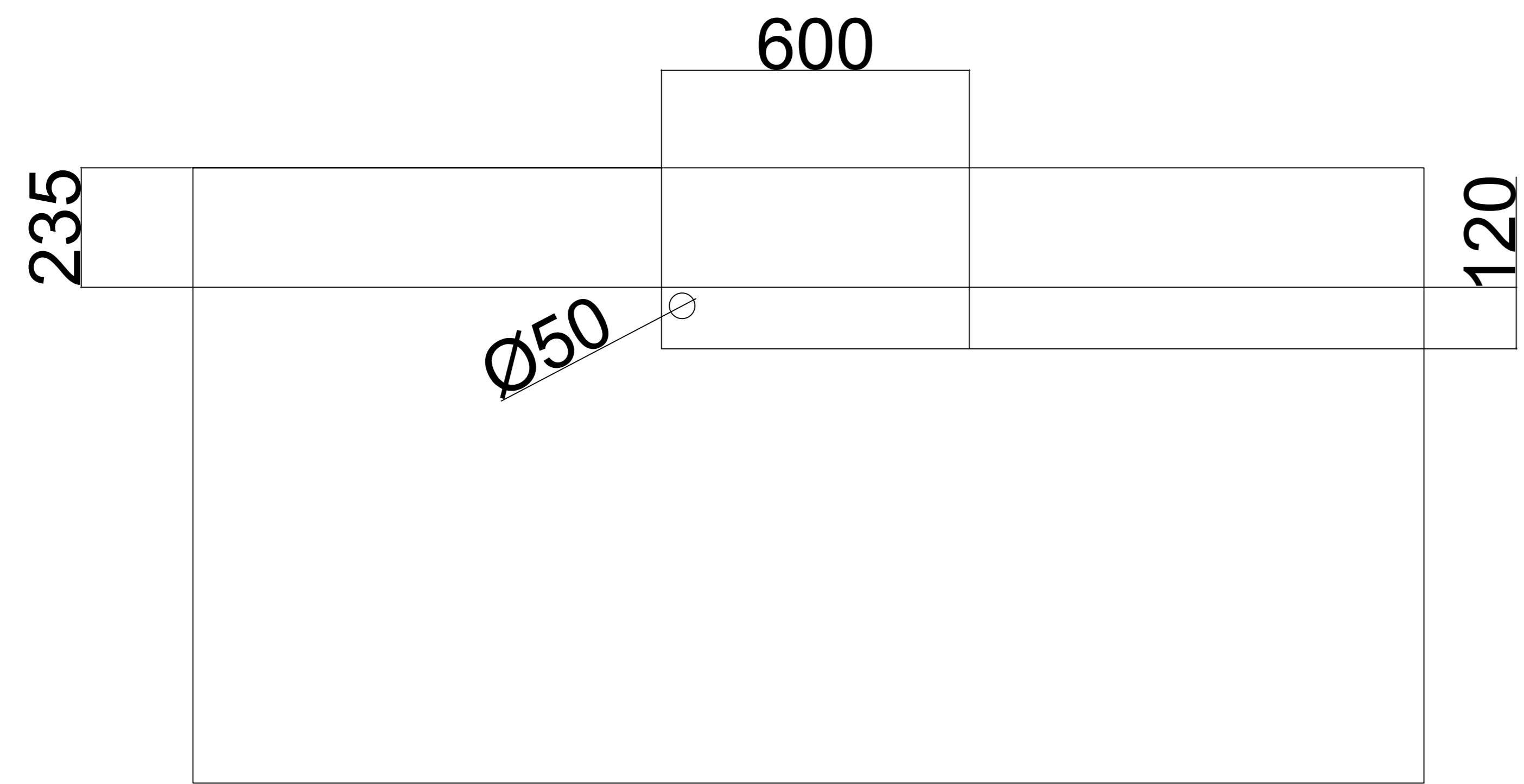
#### REVISION DETAILS

REV	DATE	DESCRIPTION	INITIAL
A	06/11/2022	TITLE PAGE	S.F.

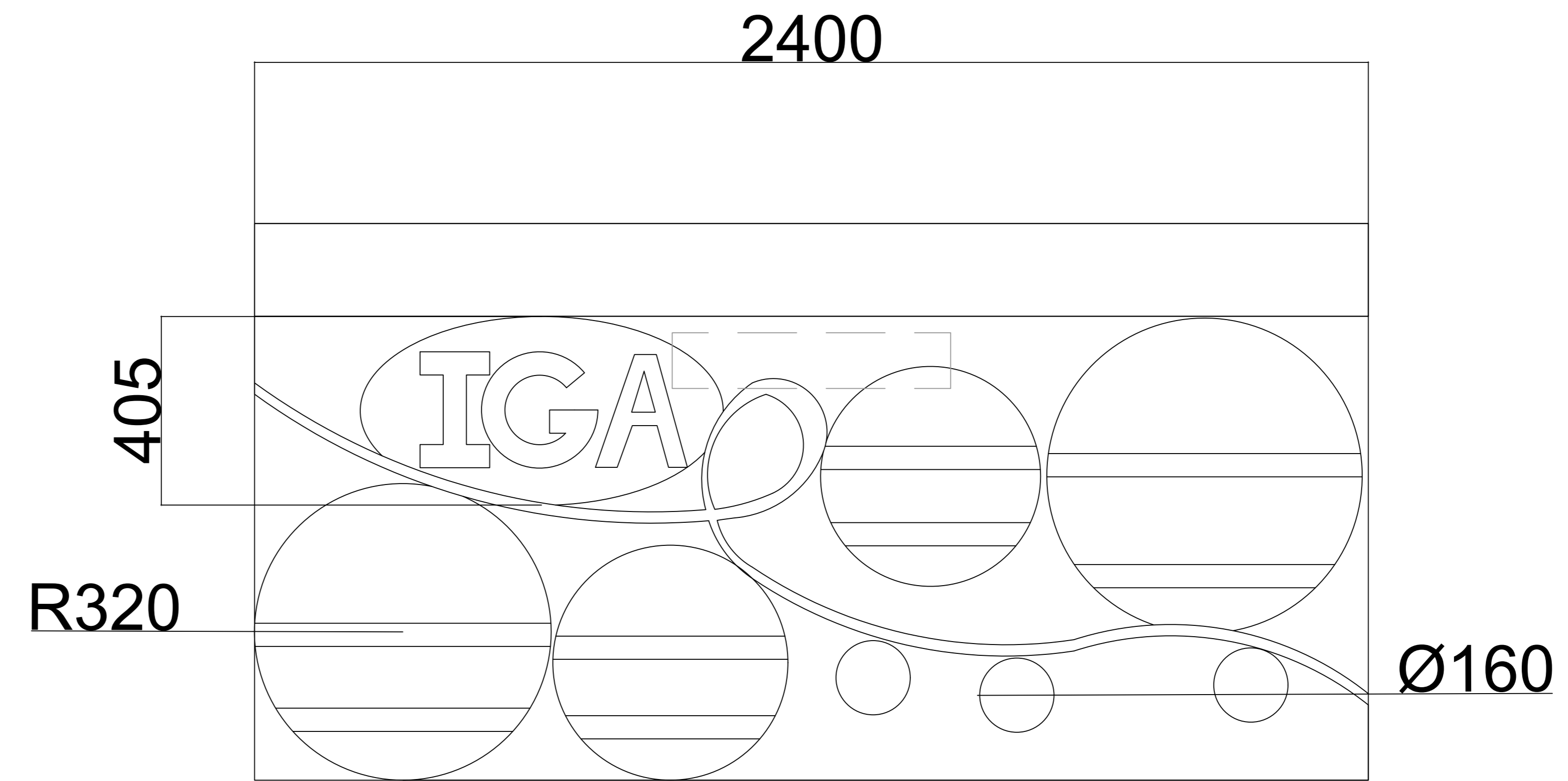
#### DRAWING DETAILS

DRAWING: TITLE PAGE

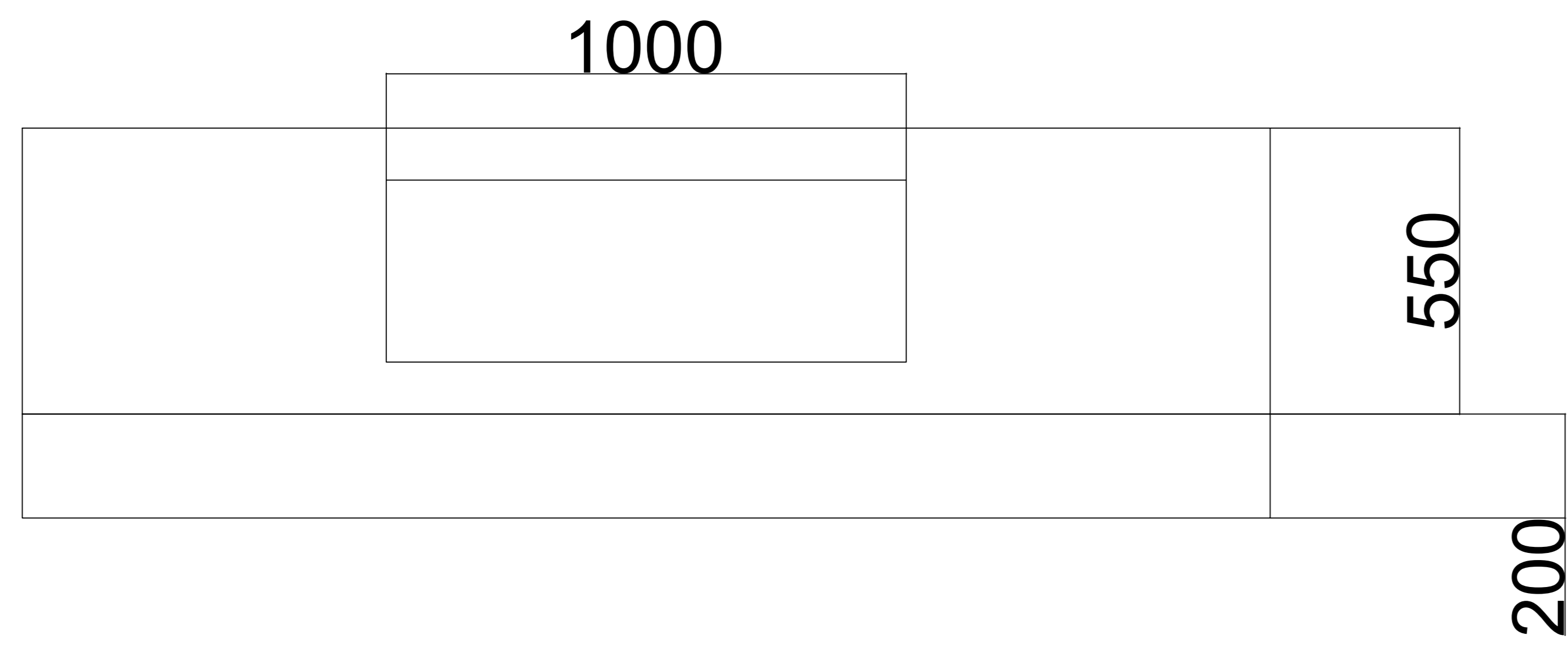
SCALE:	REVISION:	SHEET:
DATE: 06/11/2022	A	0
DRAWN BY: S.F.		
CHECKED BY: A.A.		



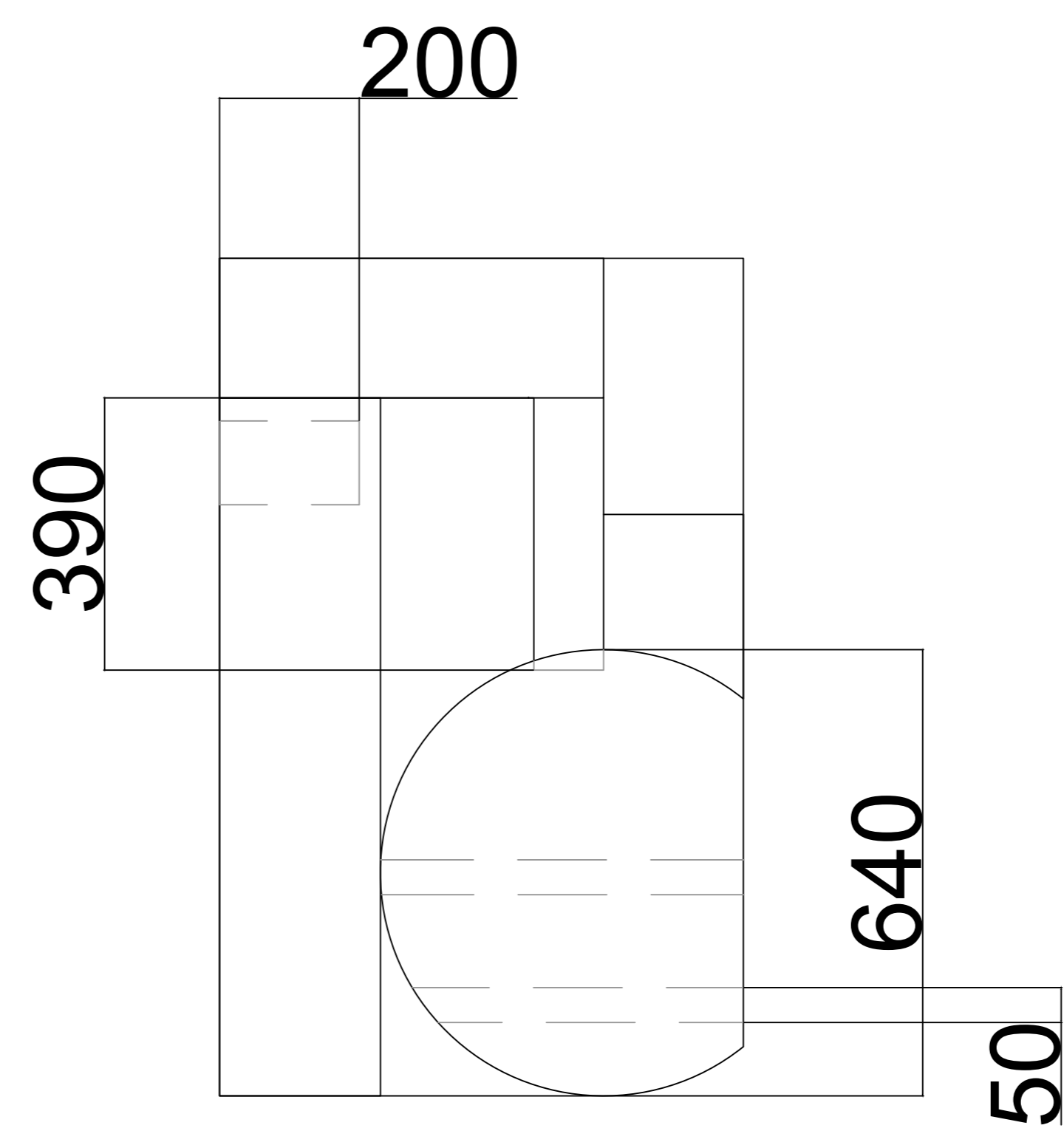
1 ELEVATION 1  
1 1:50



2 ELEVATION 2  
1 1:50



3 PLAN  
1 1:50



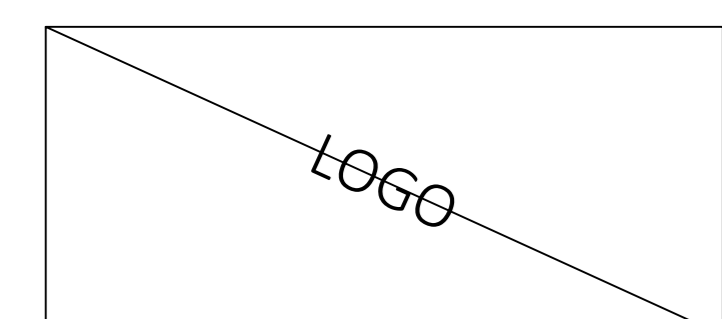
4 SECTION  
1 1:50

LEGEND

NOTES

DESIGNER DETAILS

NAME:  
T: +614 0000 0000  
E: email@address.com



NOTE

DO NOT SCALE THIS DRAWING. THE DRAWING SHOWS DESIGN INTENT ONLY. ALL DIMENSIONS TO BE CHECKED ON SITE PRIOR TO CONSTRUCTION OR PRODUCTION. CONSTRUCTION DETAILS TO BE CONFIRMED BY CONTRACTOR/MANUFACTURER. FIGURE DIMENSIONS ARE TO BE TAKEN IN PREFERENCE TO THE SCALE DRAWING; ALL DISCREPANCIES AND COMMISSIONS ON SITE MUST BE REPORTED TO DESIGNER FOR THEIR COMMENTS OR APPROVAL PRIOR TO COMMENCING WORK; ALL ELECTRICAL LIGHTING, HVAC AND PLUMBING ISSUES TO BE REFERRED TO ENGINEERS DRAWINGS PRIOR TO COMMENCEMENT OF WORKS. THE DESIGNS ARE SUBJECT TO APPROVAL BY STATUTORY AUTHORITIES AND ANY NECESSARY ALTERATIONS SHOULD BE MADE TO COMPLY. THIS DOCUMENT INCLUDING ELECTRONIC FORMAT, MUST NOT BE USED, REPRODUCED OR COPIED WHOLLY OR IN PART WITHOUT PRIOR PERMISSION OF DESIGNER ©

NORTH

PROJECT

PROJECT NAME: IGA + Liquor  
ADDRESS: Ashburton

PROJECT NUMBER

####

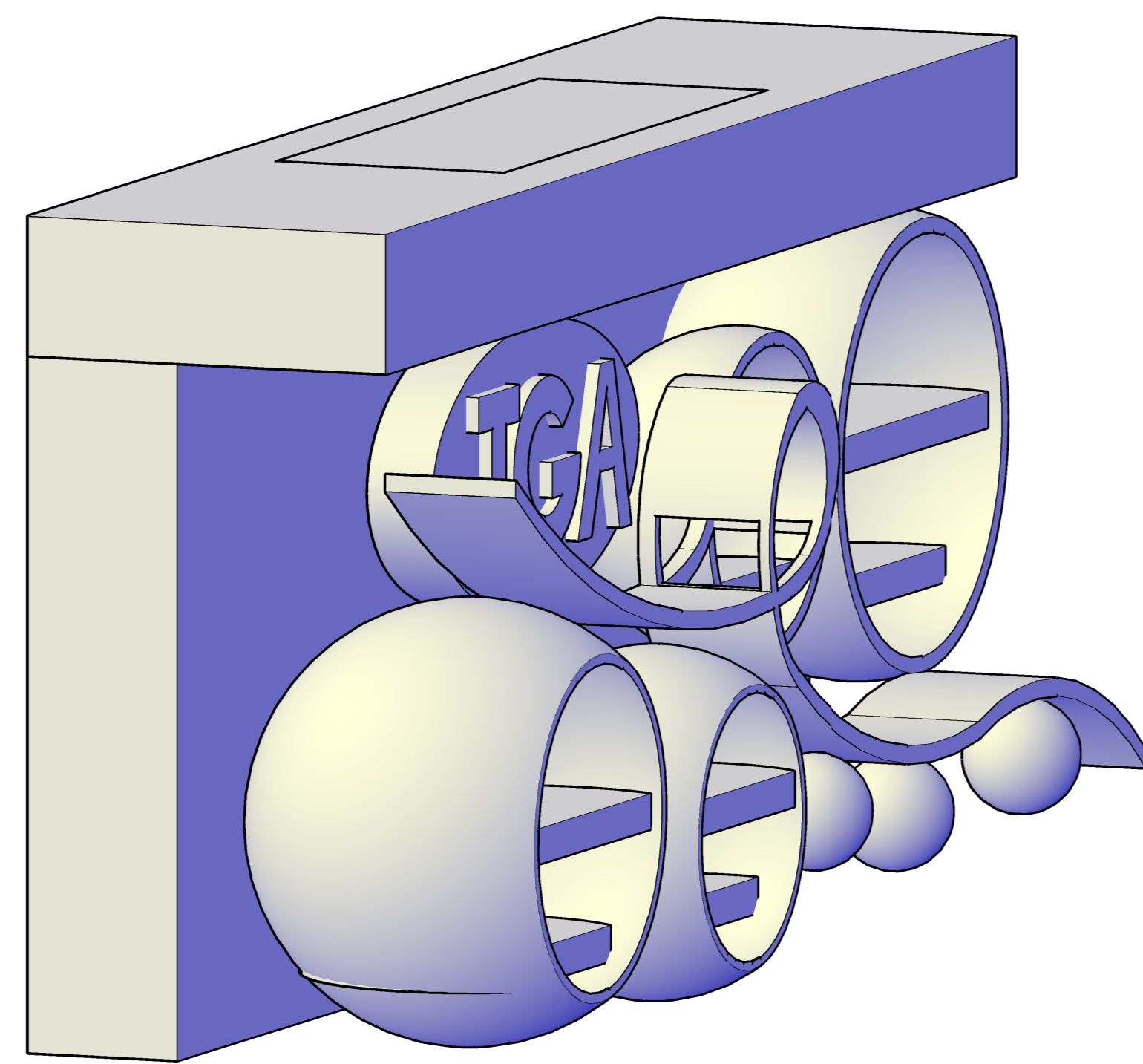
REVISION DETAILS

REV	DATE	DESCRIPTION	INITIAL
A	06/11/2022	The point of sales area	S.F.

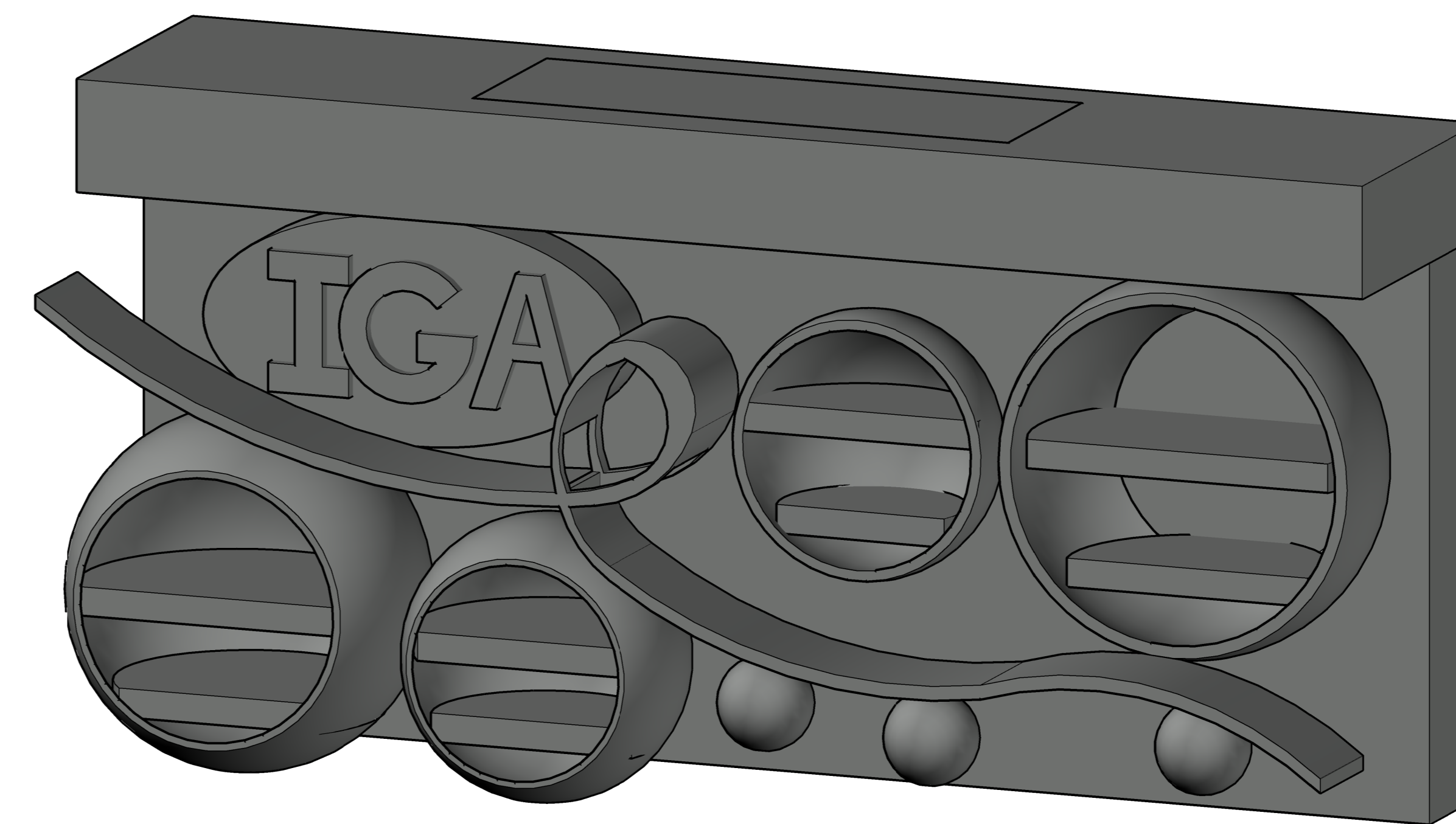
DRAWING DETAILS

DRAWING: POS		
SCALE: 1:50 @A3	REVISION:	SHEET:
DATE: 06/11/2022	A	1
DRAWN BY: S.F.		
CHECKED BY: A.A.		

LEGEND



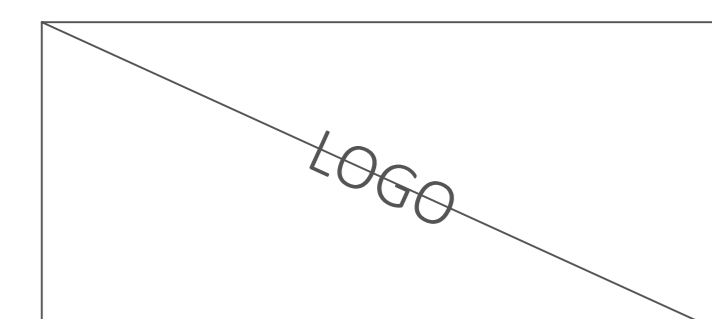
1 PERSPECTIVE 1  
2 1:50



2 PERSPECTIVE 2  
2 1:50

NOTES

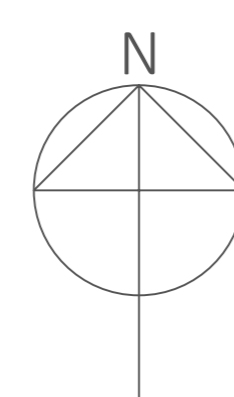
DESIGNER DETAILS  
NAME:  
T: +614 0000 0000  
E: email@address.com



NOTE

DO NOT SCALE THIS DRAWING. THE DRAWING SHOWS DESIGN INTENT ONLY. ALL DIMENSIONS TO BE CHECKED ON SITE PRIOR TO CONSTRUCTION OR PRODUCTION. CONSTRUCTION DETAILS TO BE CONFIRMED BY CONTRACTOR/MANUFACTURER. FIGURE DIMENSIONS ARE TO BE TAKEN IN PREFERENCE TO THE SCALE DRAWING; ALL DISCREPANCIES AND COMMISSIONS ON SITE MUST BE REPORTED TO DESIGNER FOR THEIR COMMENTS OR APPROVAL PRIOR TO COMMENCING WORK; ALL ELECTRICAL LIGHTING, HVAC AND PLUMBING ISSUES TO BE REFERRED TO ENGINEERS DRAWINGS PRIOR TO COMMENCEMENT OF WORKS. THE DESIGNS ARE SUBJECT TO APPROVAL BY STATUTORY AUTHORITIES AND ANY NECESSARY ALTERATIONS SHOULD BE MADE TO COMPLY. THIS DOCUMENT INCLUDING ELECTRONIC FORMAT, MUST NOT BE USED, REPRODUCED OR COPIED WHOLLY OR IN PART WITHOUT PRIOR PERMISSION OF DESIGNER ©

NORTH



PROJECT

PROJECT NAME:  
ADDRESS:

PROJECT NUMBER  
####

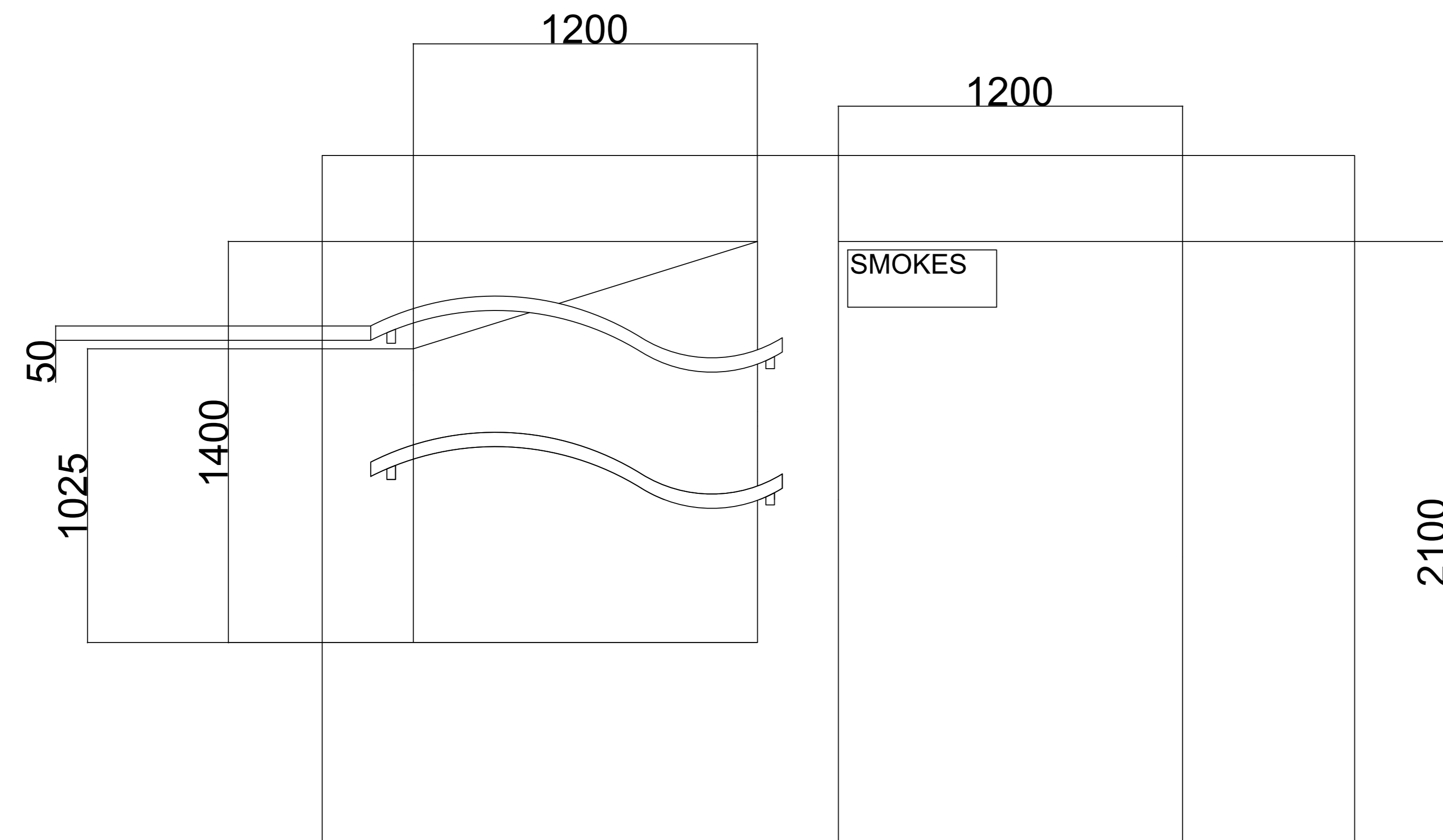
REVISION DETAILS

REV	DATE	DESCRIPTION	INITIAL
A	06/11/2022	POINT OF SALES AREA	S.F.

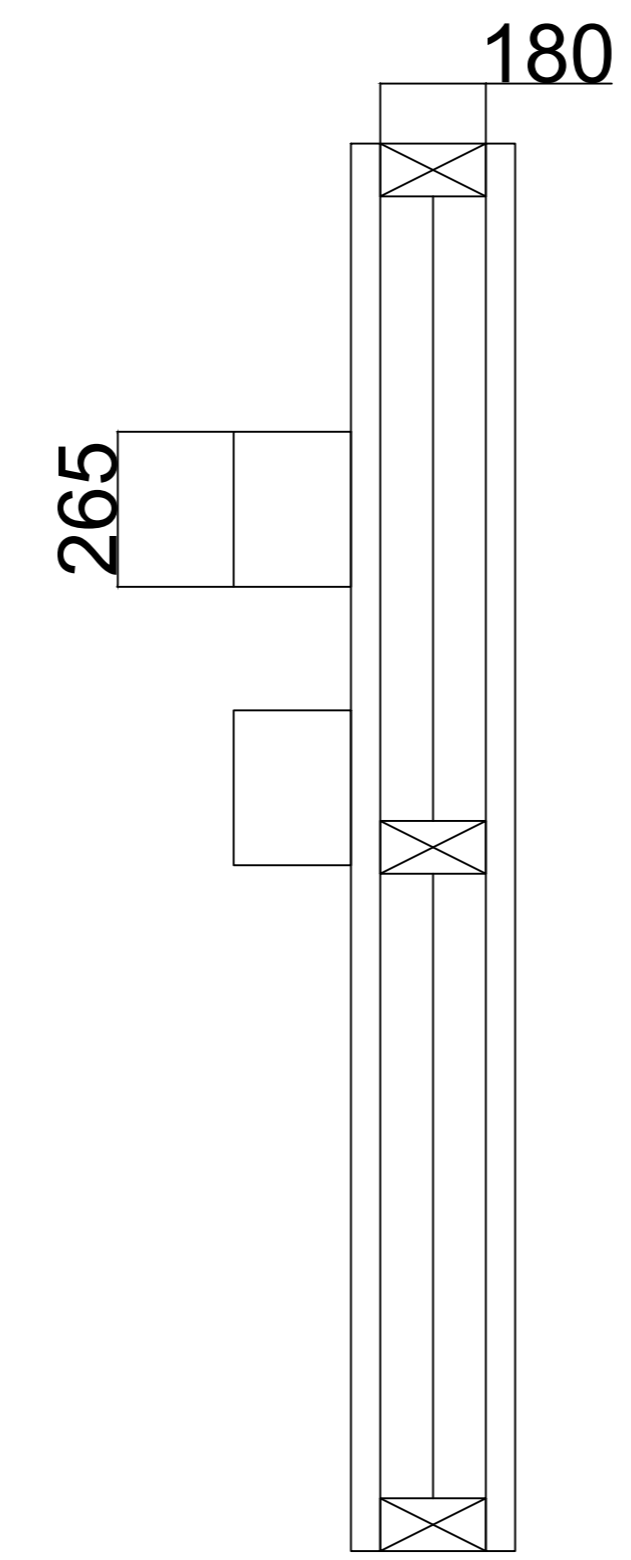
DRAWING DETAILS

DRAWING: POS		
SCALE: 1:50@A3	REVISION: A	SHEET: 2
DATE: 06/11/2022		
DRAWN BY: S.F.		
CHECKED BY: A.A.		

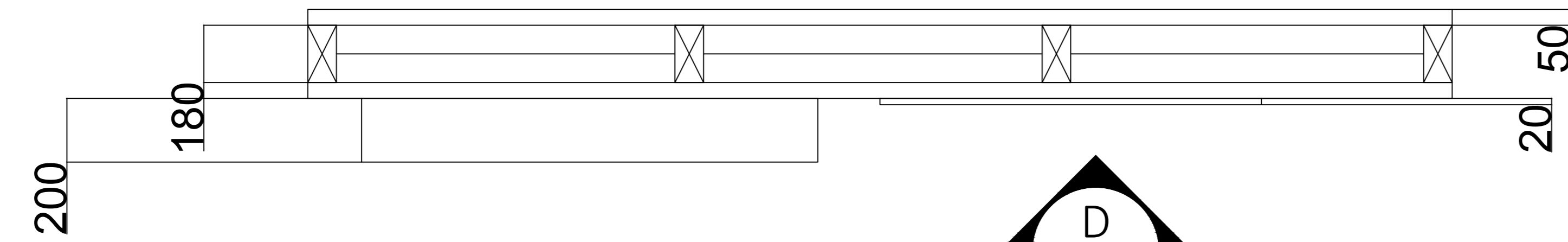
LEGEND



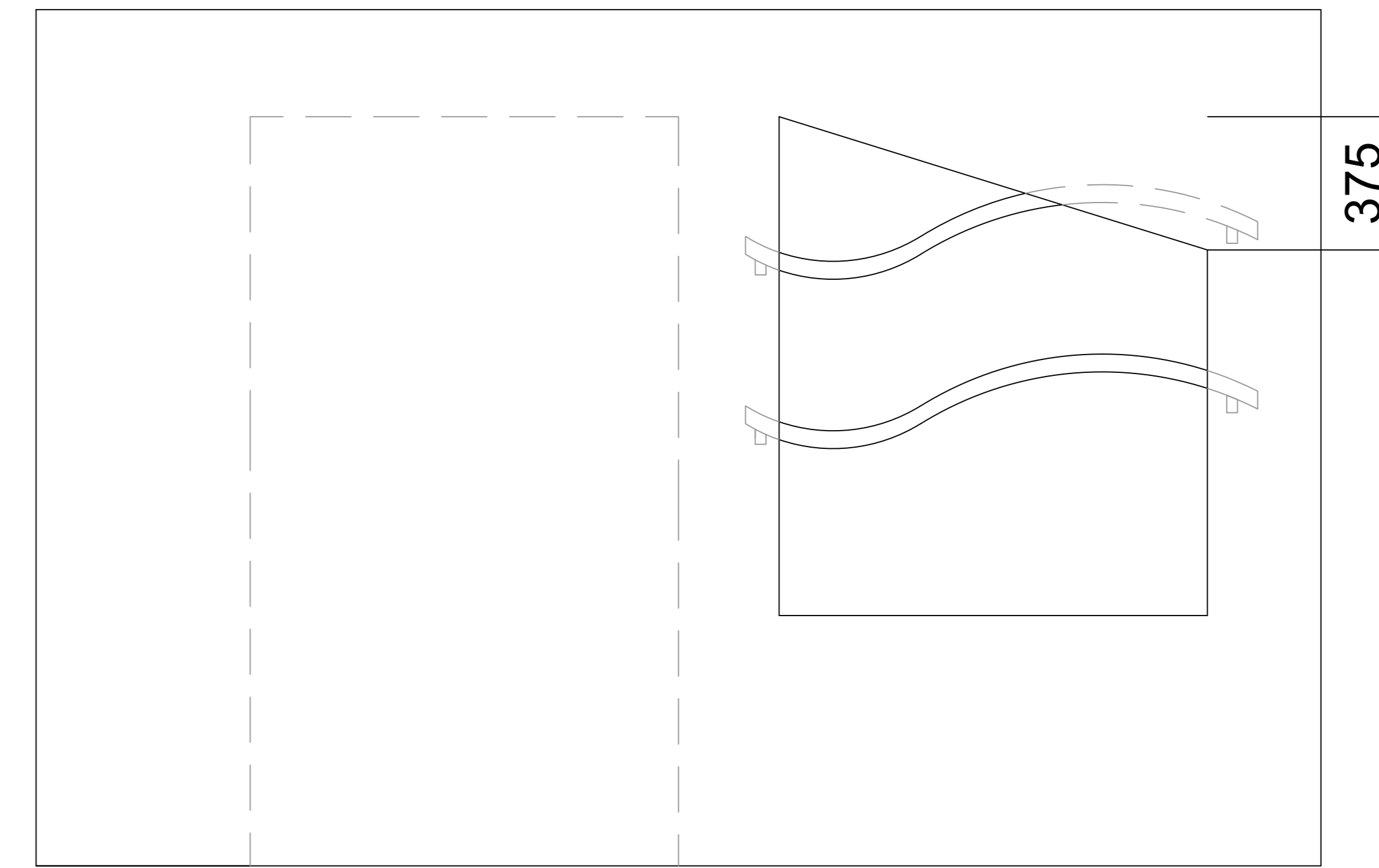
1 ELEVATION 1  
3 1:50



2 SECTIONAL  
3 1:50

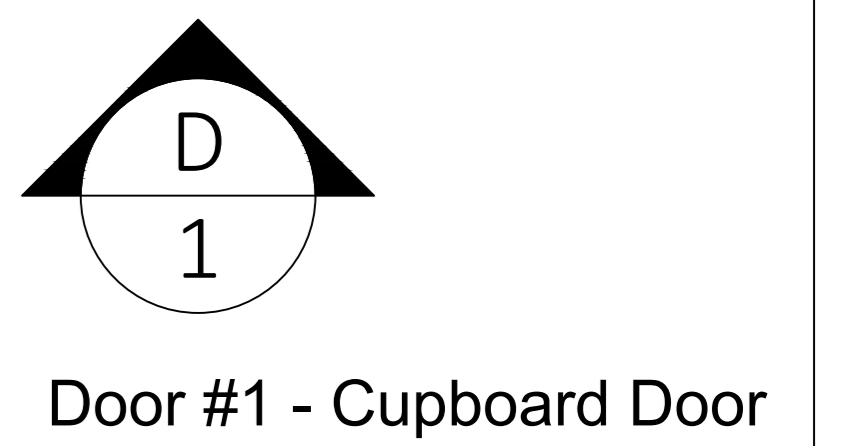


3 PLAN  
3 1:50



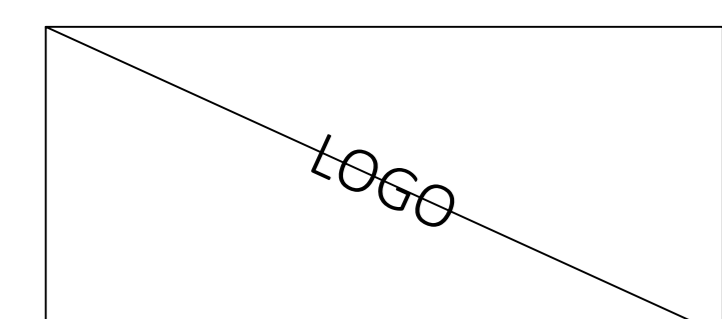
4 ELEVATION 2  
3 1:50

NOTES



DESIGNER DETAILS

NAME:  
T: +614 0000 0000  
E: email@address.com



NOTE

DO NOT SCALE THIS DRAWING. THE DRAWING SHOWS DESIGN INTENT ONLY. ALL DIMENSIONS TO BE CHECKED ON SITE PRIOR TO CONSTRUCTION OR PRODUCTION. CONSTRUCTION DETAILS TO BE CONFIRMED BY CONTRACTOR/MANUFACTURER. FIGURE DIMENSIONS ARE TO BE TAKEN IN PREFERENCE TO THE SCALE DRAWING; ALL DISCREPANCIES AND COMMISSIONS ON SITE MUST BE REPORTED TO DESIGNER FOR THEIR COMMENTS OR APPROVAL PRIOR TO COMMENCING WORK; ALL ELECTRICAL LIGHTING, HVAC AND PLUMBING ISSUES TO BE REFERRED TO ENGINEERS DRAWINGS PRIOR TO COMMENCEMENT OF WORKS. THE DESIGNS ARE SUBJECT TO APPROVAL BY STATUTORY AUTHORITIES AND ANY NECESSARY ALTERATIONS SHOULD BE MADE TO COMPLY. THIS DOCUMENT INCLUDING ELECTRONIC FORMAT, MUST NOT BE USED, REPRODUCED OR COPIED WHOLLY OR IN PART WITHOUT PRIOR PERMISSION OF DESIGNER ©

NORTH

PROJECT

PROJECT NAME: IGA + Liquor  
ADDRESS: Ashburton

PROJECT NUMBER

####

REVISION DETAILS

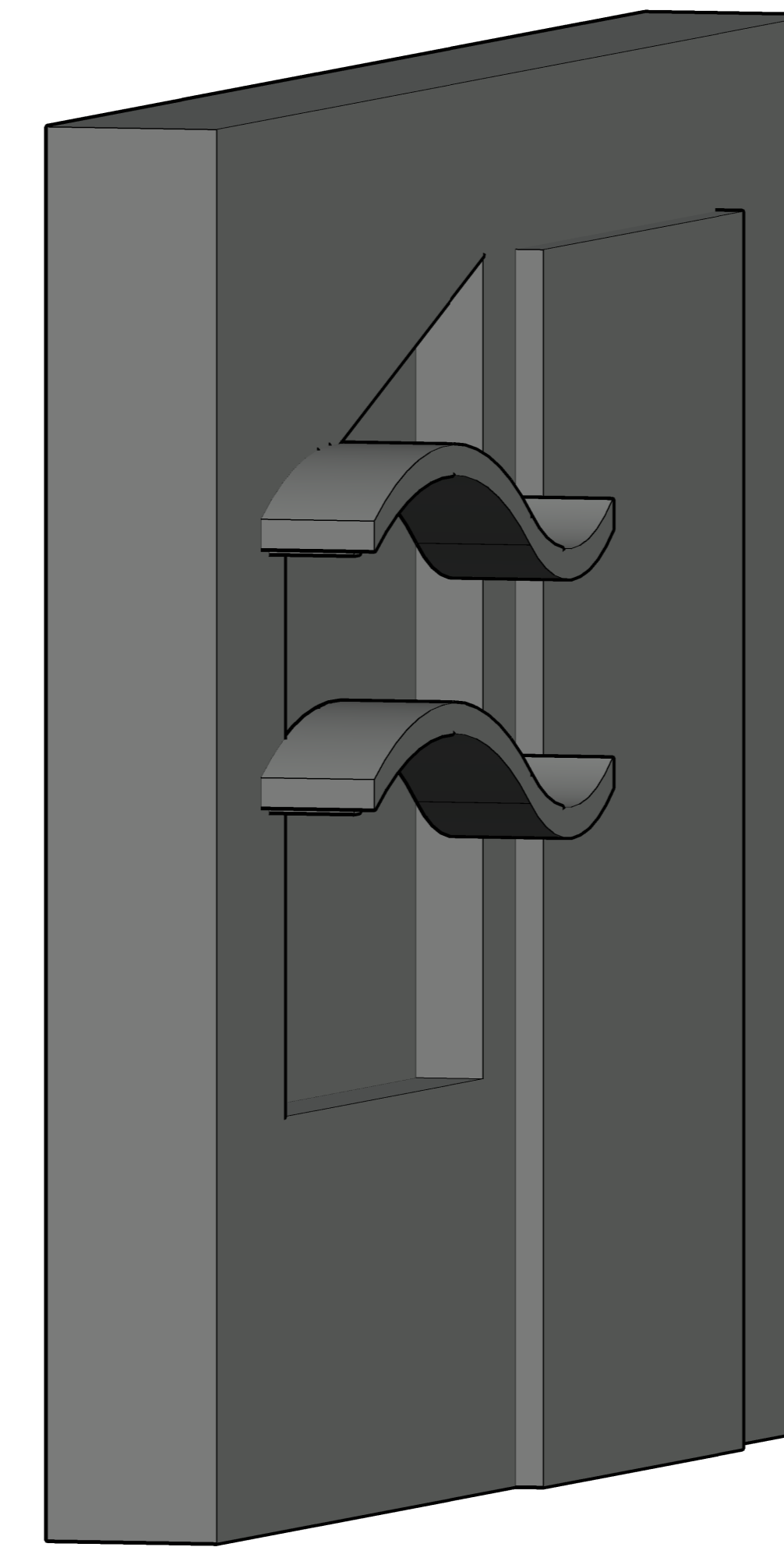
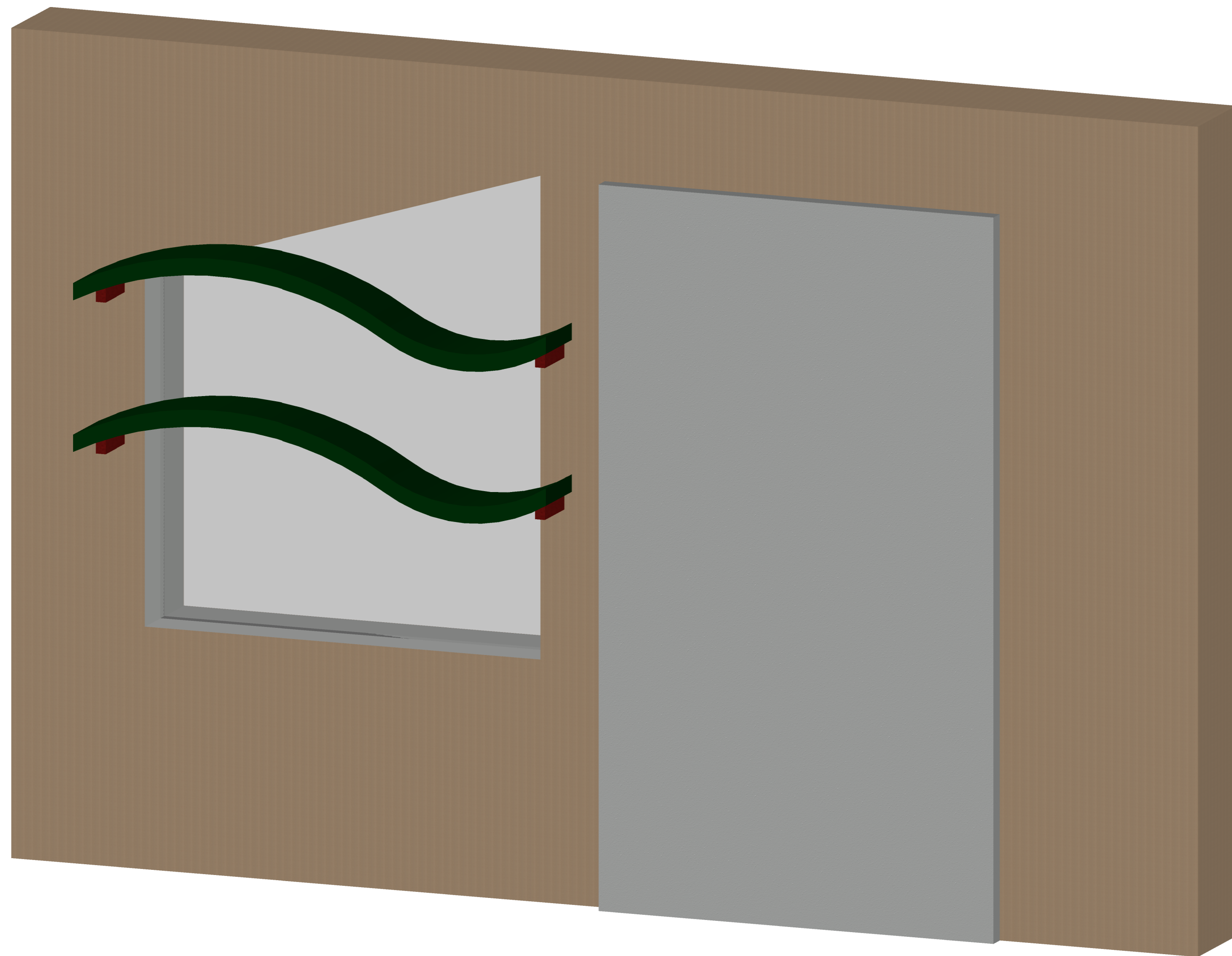
REV	DATE	DESCRIPTION	INITIAL
A	06/11/2022	Wall Display	S.F.

DRAWING DETAILS

DRAWING: Wall Display		
SCALE: 1:50 @A3	REVISION:	SHEET:
DATE: 06/11/2022	A	3
DRAWN BY: S.F.		
CHECKED BY: A.A.		

LEGEND

NOTES

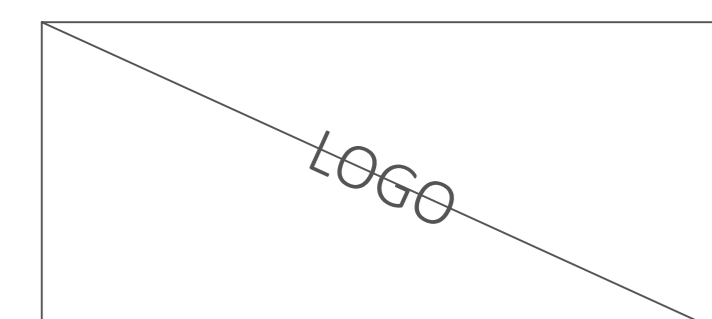


1 PERSPECTIVE 1  
4 1:50

2 PERSPECTIVE 2  
4 1:50

DESIGNER DETAILS

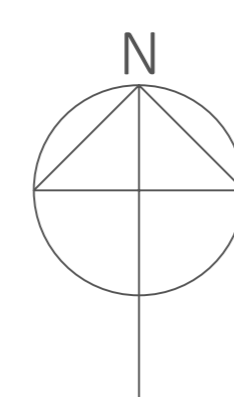
NAME:  
T: +614 0000 0000  
E: email@address.com



NOTE

DO NOT SCALE THIS DRAWING. THE DRAWING SHOWS DESIGN INTENT ONLY. ALL DIMENSIONS TO BE CHECKED ON SITE PRIOR TO CONSTRUCTION OR PRODUCTION. CONSTRUCTION DETAILS TO BE CONFIRMED BY CONTRACTOR/MANUFACTURER. FIGURE DIMENSIONS ARE TO BE TAKEN IN PREFERENCE TO THE SCALE DRAWING; ALL DISCREPANCIES AND COMMISSIONS ON SITE MUST BE REPORTED TO DESIGNER FOR THEIR COMMENTS OR APPROVAL PRIOR TO COMMENCING WORK; ALL ELECTRICAL LIGHTING, HVAC AND PLUMBING ISSUES TO BE REFERRED TO ENGINEERS DRAWINGS PRIOR TO COMMENCEMENT OF WORKS. THE DESIGNS ARE SUBJECT TO APPROVAL BY STATUTORY AUTHORITIES AND ANY NECESSARY ALTERATIONS SHOULD BE MADE TO COMPLY. THIS DOCUMENT INCLUDING ELECTRONIC FORMAT, MUST NOT BE USED, REPRODUCED OR COPIED WHOLLY OR IN PART WITHOUT PRIOR PERMISSION OF DESIGNER ©

NORTH



PROJECT

PROJECT NAME:  
ADDRESS:

PROJECT NUMBER  
####

REVISION DETAILS

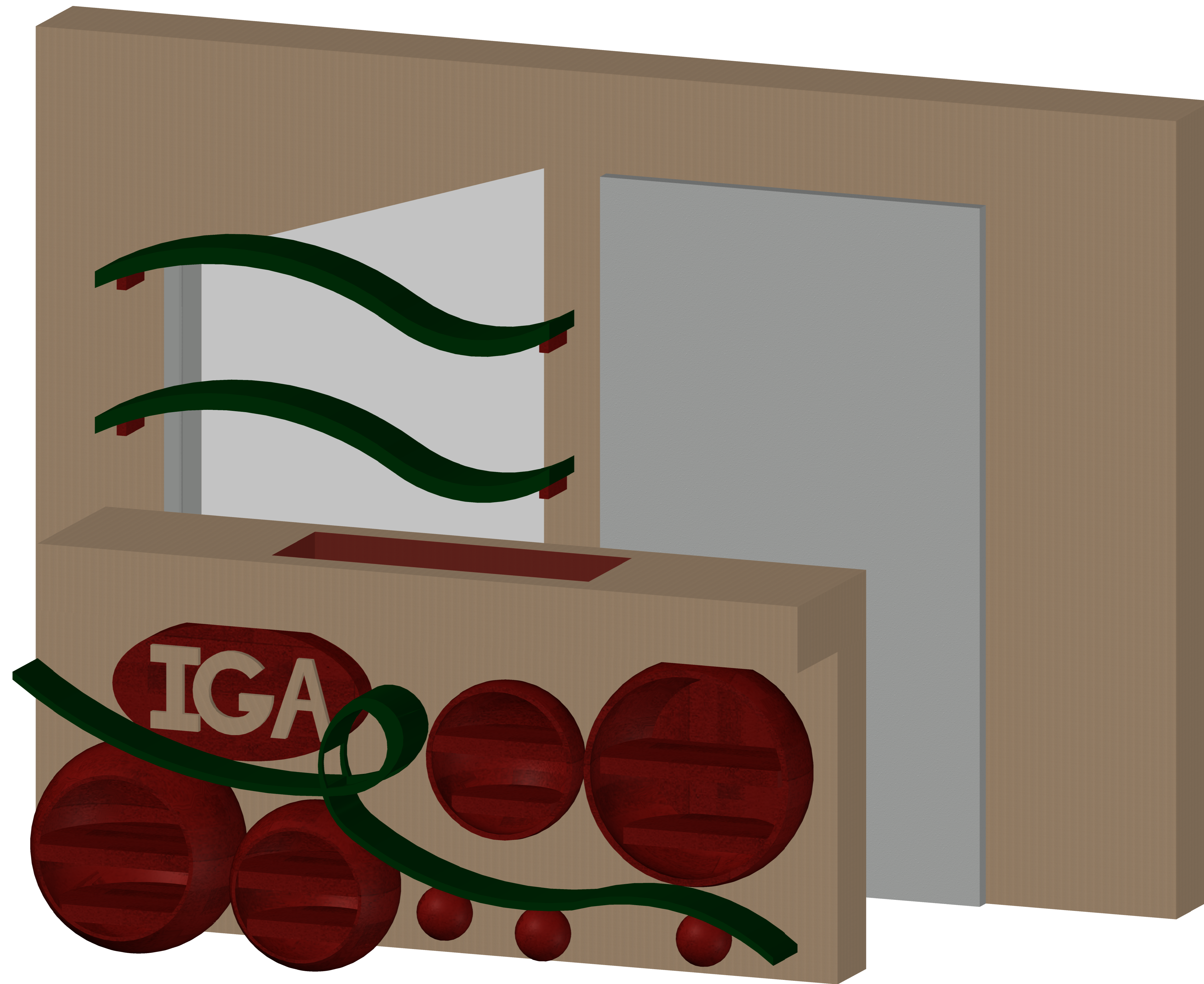
REV	DATE	DESCRIPTION	INITIAL
A	06/11/2022	DISPLAY WALL	S.F.

DRAWING DETAILS

DRAWING: DISPLAY WALL

SCALE: 1:50@A3	REVISION: A	SHEET: 4
DATE: 06/11/2022		
DRAWN BY: S.F.		
CHECKED BY: A.A.		

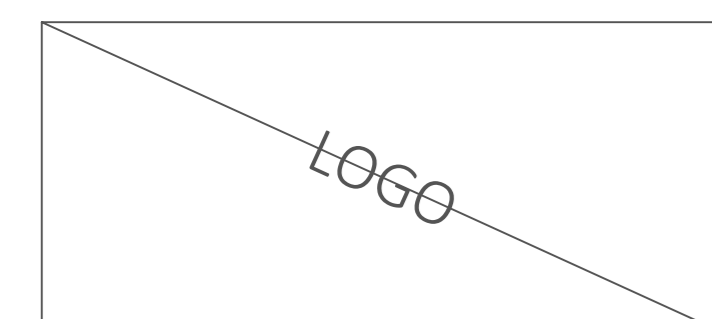
LEGEND



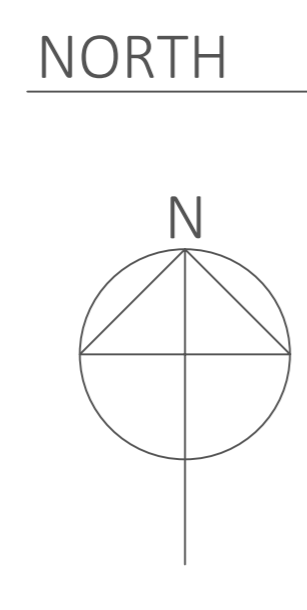
NOTES

1 PERSPECTIVE 1  
5 1:50

DESIGNER DETAILS  
NAME:  
T: +614 0000 0000  
E: email@address.com



NOTE  
DO NOT SCALE THIS DRAWING. THE DRAWING SHOWS DESIGN INTENT ONLY. ALL DIMENSIONS TO BE CHECKED ON SITE PRIOR TO CONSTRUCTION OR PRODUCTION. CONSTRUCTION DETAILS TO BE CONFIRMED BY CONTRACTOR/MANUFACTURER. FIGURE DIMENSIONS ARE TO BE TAKEN IN PREFERENCE TO THE SCALE DRAWING; ALL DISCREPANCIES AND COMMISSIONS ON SITE MUST BE REPORTED TO DESIGNER FOR THEIR COMMENTS OR APPROVAL PRIOR TO COMMENCING WORK; ALL ELECTRICAL LIGHTING, HVAC AND PLUMBING ISSUES TO BE REFERRED TO ENGINEERS DRAWINGS PRIOR TO COMMENCEMENT OF WORKS. THE DESIGNS ARE SUBJECT TO APPROVAL BY STATUTORY AUTHORITIES AND ANY NECESSARY ALTERATIONS SHOULD BE MADE TO COMPLY. THIS DOCUMENT INCLUDING ELECTRONIC FORMAT, MUST NOT BE USED, REPRODUCED OR COPIED WHOLLY OR IN PART WITHOUT PRIOR PERMISSION OF DESIGNER ©



PROJECT  
PROJECT NAME:  
ADDRESS:  
  
PROJECT NUMBER  
####

REVISION DETAILS			INITIAL
REV	DATE	DESCRIPTION	S.F.
A	06/11/2022	POINT OF SALES AREA + DISPLAY WALL	

DRAWING DETAILS		
DRAWING: POS + DISPLAY WALL		
SCALE:	REVISION:	SHEET:
1:50@A3	A	5
DATE: 06/11/2022		
DRAWN BY: S.F.		
CHECKED BY: A.A.		